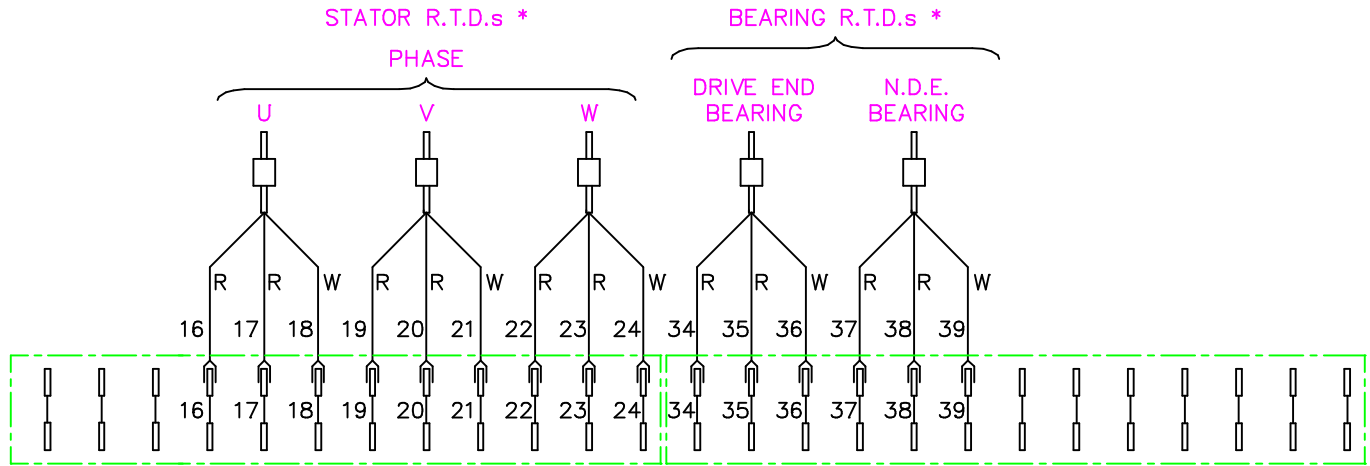


# R.T.D. (Resistance Temperature Detector)



STATOR - 1 PER PHASE (3 LEAD TYPE)  
 OR  
 STATOR - 1 PER PHASE (3 LEAD TYPE) - ACTIVE  
 WITH 1 PER PHASE (3 LEAD TYPE) - IN RESERVE  
 (i.e. TERMINAL ENDS OF RESERVE SET TO BE  
 TIED BACK INTO HARNESS UNTIL REQUIRED

NOTES:  
 (1) R = RED W = WHITE  
 (2) \* = IF FITTED

		ACCESSORY DIAGRAM	
CERTIFIED PRINT (ONLY IF SIGNED)		FRAME ---	OTHER FEATURES
BY		CONTROL SERIES	
DATE		POLES	
DRAWN SMH 02:03:99		No. OF ENDS	
CHECKED		SENSING PHASE	
APPROVED		NEWAGE INTERNATIONAL Ltd STAMFORD, ENGLAND	

MOD	N	ISSUE	DRAWN	DATE	ALTERATION
4/2440/1	B	SMH	02:03:99	VIEW OF TERMINAL BLOCKS REVISED TO AID MECHANICAL ASSEMBLY	
4/2309/5	A	SMH	09:12:98	ORIGINAL ISSUE	