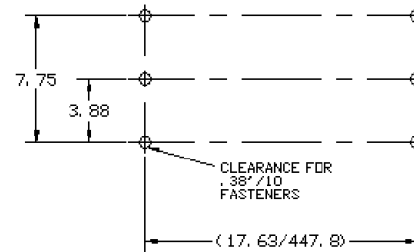
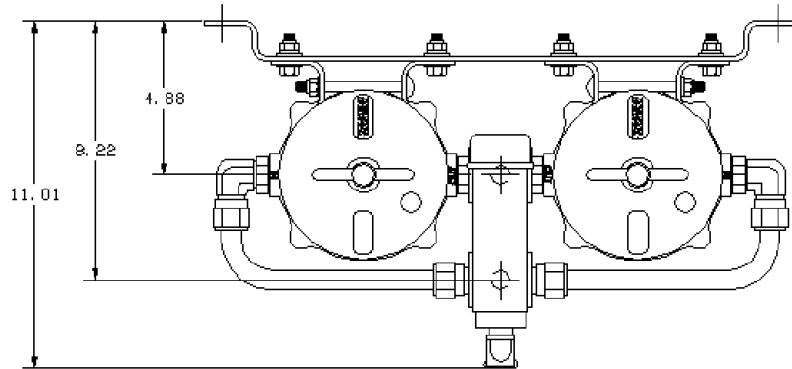


REVISIÖNS				
LTN	BESKRIVNING	E. N.	DATE	ÖVN
--	DRAWING RELEASE	--	042001	GG GG
--	--	--	--	--



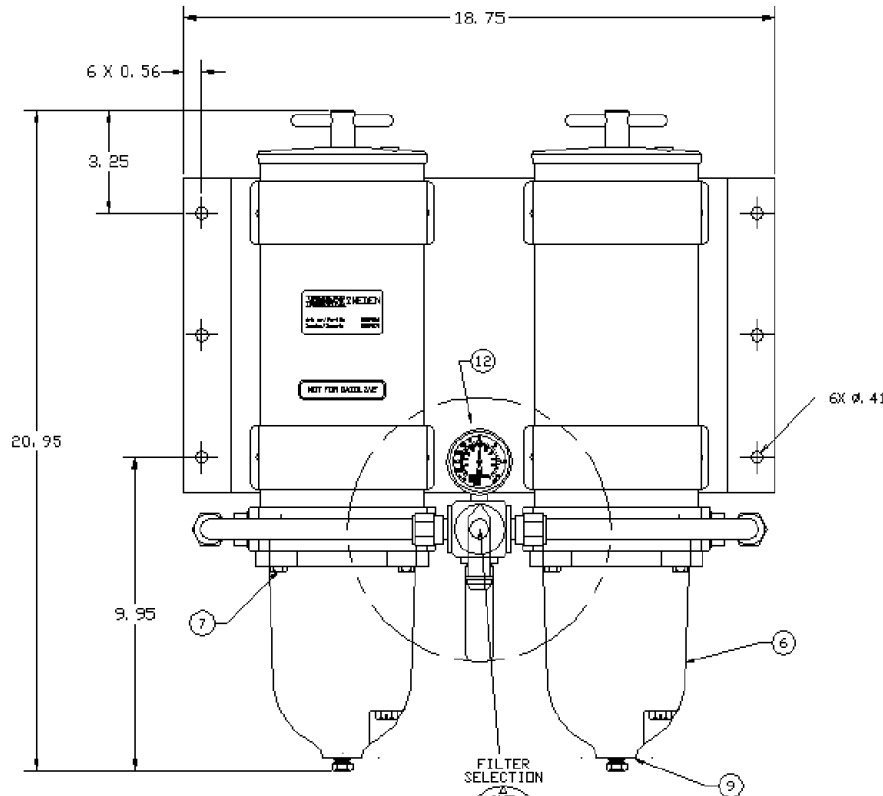
MOUNTING HOLE PATTERN

**TECHNICAL SPECIFICATIONS:**

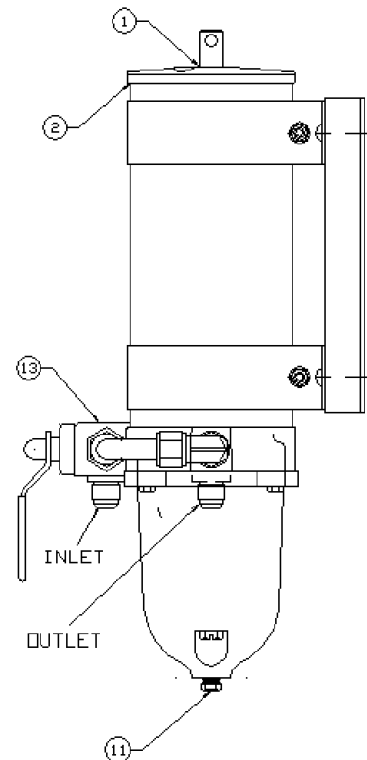
- APPLICATION: SUCTION (VACUUM) SIDE OF FUEL PUMP
- PORT SIZE: .875-14 MALE SAEJ514 W/37° JIC FLARE FITTINGS
- MAXIMUM FLOW RATE: 360 GPH/1363 LPH
- CLEAN VACUUM DROP: 25.5 kPa
- MAXIMUM TEST PRESSURE: 100PSI/689 kPa
- WEIGHT: 30 LBS/13.6 kg
- FLUID STATIC CAPACITY: 2 GAL/7.6 Liters
- PARTICLE REMOVAL RATING (MICRON): 10
- TEMPERATURE RATING: -40 TO 250°F/-40 TO 121°C

**INSTALLATION INSTRUCTIONS:**

1. REMOVE VACUUM SIDE FILTERS IN FUEL LINE BETWEEN FUEL TANK AND FUEL PUMP IF PRESENT.
2. MOUNT RACOR FILTER/SEPARATOR VERTICALLY ON THE VACUUM SIDE OF THE FUEL PUMP OR TRANSFER PUMP.
3. INSTALL FUEL LINE FROM FUEL TANK TO THE INLET PORT OF THE ROTARY SELECTOR VALVE.
4. INSTALL FUEL LINE FROM THE OUTLET PORT OF THE ROTARY SELECTOR VALVE TO THE FUEL OR TRANSFER PUMP.
5. REMOVE LIDS AND PRIME THE SYSTEM BY POURING CLEAN FUEL INTO THE FILTER/SEPARATOR HOUSINGS UNTIL FULL. REPLACE LIDS AND TIGHTEN FIRMLY.
6. START ENGINE AND TEST SYSTEM FOR LEAKS.



NOTE: HANDLE ARROW SHOWN ABOVE IS IN THE "ALL OFF" POSITION.



\* REPLACEMENT ELEMENTS SUPPLIED BY PARKER HANNIFIN CORPORATION'S FILTER DIVISION, DEWSBURY, ENGLAND.

VOLVO PENTA PART NO.	RACOR REPL KIT NO.	REPLACEMENT KIT DESCRIPTION	ITEM
3827300	RK 11-1906	VALVE ASSEMBLY	13
3827299	RK 11-1905	GAUGE	12
952075	RK 11-1818	BOWL DRAIN PLUG	11
			10
			9
			8
940094	RK 11-1813	BOWL MOUNTING SCREWS	7
T&D	RK 11734-01	BOWL, METAL	6
3827278	2020PM-DEM-VOL	REPLACEMENT ELEMENT (30 MICRON)	5
3827277	2020TM-DEM-VOL	REPLACEMENT ELEMENT (10 MICRON)	4
3825028	RK 11-1814	TURBINE/CONICAL BAFFLE	3
846719	RK 11-1899	LID/BOWL GASKET	2
838506	RK 11-1898	T-HANDLE O-RING	1

**CUSTOMER INTERFACE DRAWING**

QUANTITY	PART NUMBER	DESCRIPTION	ITEM NO.
1	3835496	MARINE FF/WS ASSEMBLY-VOLVO PENTA	1

REVISIONS	DATE	BY	CHKD
1	022601	G. GARCIA	GG
2	042001	GG	GG

DESIGN	DATE	PARTICULARS	
G. GARCIA	022601	MARINE FF/WS ASSEMBLY-VOLVO PENTA	
CHECK	042001	MARINE FF/WS ASSEMBLY-VOLVO PENTA	
APPROVED		MARINE FF/WS ASSEMBLY-VOLVO PENTA	
DATE		MARINE FF/WS ASSEMBLY-VOLVO PENTA	
BY		MARINE FF/WS ASSEMBLY-VOLVO PENTA	
CHKD		MARINE FF/WS ASSEMBLY-VOLVO PENTA	
DATE		MARINE FF/WS ASSEMBLY-VOLVO PENTA	
BY		MARINE FF/WS ASSEMBLY-VOLVO PENTA	
CHKD		MARINE FF/WS ASSEMBLY-VOLVO PENTA	
DATE		MARINE FF/WS ASSEMBLY-VOLVO PENTA	
BY		MARINE FF/WS ASSEMBLY-VOLVO PENTA	
CHKD		MARINE FF/WS ASSEMBLY-VOLVO PENTA	
DATE		MARINE FF/WS ASSEMBLY-VOLVO PENTA	
BY		MARINE FF/WS ASSEMBLY-VOLVO PENTA	
CHKD		MARINE FF/WS ASSEMBLY-VOLVO PENTA	
DATE		MARINE FF/WS ASSEMBLY-VOLVO PENTA	
BY		MARINE FF/WS ASSEMBLY-VOLVO PENTA	
CHKD		MARINE FF/WS ASSEMBLY-VOLVO PENTA	
DATE		MARINE FF/WS ASSEMBLY-VOLVO PENTA	
BY		MARINE FF/WS ASSEMBLY-VOLVO PENTA	
CHKD		MARINE FF/WS ASSEMBLY-VOLVO PENTA	
DATE		MARINE FF/WS ASSEMBLY-VOLVO PENTA	
BY		MARINE FF/WS ASSEMBLY-VOLVO PENTA	
CHKD		MARINE FF/WS ASSEMBLY-VOLVO PENTA	
DATE		MARINE FF/WS ASSEMBLY-VOLVO PENTA	
BY		MARINE FF/WS ASSEMBLY-VOLVO PENTA	
CHKD		MARINE FF/WS ASSEMBLY-VOLVO PENTA	
DATE		MARINE FF/WS ASSEMBLY-VOLVO PENTA	
BY		MARINE FF/WS ASSEMBLY-VOLVO PENTA	
CHKD		MARINE FF/WS ASSEMBLY-VOLVO PENTA	
DATE		MARINE FF/WS ASSEMBLY-VOLVO PENTA	
BY		MARINE FF/WS ASSEMBLY-VOLVO PENTA	
CHKD		MARINE FF/WS ASSEMBLY-VOLVO PENTA	
DATE		MARINE FF/WS ASSEMBLY-VOLVO PENTA	
BY		MARINE FF/WS ASSEMBLY-VOLVO PENTA	
CHKD		MARINE FF/WS ASSEMBLY-VOLVO PENTA	
DATE		MARINE FF/WS ASSEMBLY-VOLVO PENTA	
BY		MARINE FF/WS ASSEMBLY-VOLVO PENTA	
CHKD		MARINE FF/WS ASSEMBLY-VOLVO PENTA	
DATE		MARINE FF/WS ASSEMBLY-VOLVO PENTA	
BY		MARINE FF/WS ASSEMBLY-VOLVO PENTA	
CHKD		MARINE FF/WS ASSEMBLY-VOLVO PENTA	
DATE		MARINE FF/WS ASSEMBLY-VOLVO PENTA	
BY		MARINE FF/WS ASSEMBLY-VOLVO PENTA	
CHKD		MARINE FF/WS ASSEMBLY-VOLVO PENTA	
DATE		MARINE FF/WS ASSEMBLY-VOLVO PENTA	
BY		MARINE FF/WS ASSEMBLY-VOLVO PENTA	
CHKD		MARINE FF/WS ASSEMBLY-VOLVO PENTA	
DATE		MARINE FF/WS ASSEMBLY-VOLVO PENTA	
BY		MARINE FF/WS ASSEMBLY-VOLVO PENTA	
CHKD		MARINE FF/WS ASSEMBLY-VOLVO PENTA	
DATE		MARINE FF/WS ASSEMBLY-VOLVO PENTA	
BY		MARINE FF/WS ASSEMBLY-VOLVO PENTA	
CHKD		MARINE FF/WS ASSEMBLY-VOLVO PENTA	
DATE		MARINE FF/WS ASSEMBLY-VOLVO PENTA	
BY		MARINE FF/WS ASSEMBLY-VOLVO PENTA	
CHKD		MARINE FF/WS ASSEMBLY-VOLVO PENTA	
DATE		MARINE FF/WS ASSEMBLY-VOLVO PENTA	
BY		MARINE FF/WS ASSEMBLY-VOLVO PENTA	
CHKD		MARINE FF/WS ASSEMBLY-VOLVO PENTA	
DATE		MARINE FF/WS ASSEMBLY-VOLVO PENTA	
BY		MARINE FF/WS ASSEMBLY-VOLVO PENTA	
CHKD		MARINE FF/WS ASSEMBLY-VOLVO PENTA	
DATE		MARINE FF/WS ASSEMBLY-VOLVO PENTA	
BY		MARINE FF/WS ASSEMBLY-VOLVO PENTA	
CHKD		MARINE FF/WS ASSEMBLY-VOLVO PENTA	
DATE		MARINE FF/WS ASSEMBLY-VOLVO PENTA	
BY		MARINE FF/WS ASSEMBLY-VOLVO PENTA	
CHKD		MARINE FF/WS ASSEMBLY-VOLVO PENTA	
DATE		MARINE FF/WS ASSEMBLY-VOLVO PENTA	
BY		MARINE FF/WS ASSEMBLY-VOLVO PENTA	
CHKD		MARINE FF/WS ASSEMBLY-VOLVO PENTA	
DATE		MARINE FF/WS ASSEMBLY-VOLVO PENTA	
BY		MARINE FF/WS ASSEMBLY-VOLVO PENTA	
CHKD		MARINE FF/WS ASSEMBLY-VOLVO PENTA	
DATE		MARINE FF/WS ASSEMBLY-VOLVO PENTA	
BY		MARINE FF/WS ASSEMBLY-VOLVO PENTA	
CHKD		MARINE FF/WS ASSEMBLY-VOLVO PENTA	
DATE		MARINE FF/WS ASSEMBLY-VOLVO PENTA	
BY		MARINE FF/WS ASSEMBLY-VOLVO PENTA	
CHKD		MARINE FF/WS ASSEMBLY-VOLVO PENTA	
DATE		MARINE FF/WS ASSEMBLY-VOLVO PENTA	
BY		MARINE FF/WS ASSEMBLY-VOLVO PENTA	
CHKD		MARINE FF/WS ASSEMBLY-VOLVO PENTA	
DATE		MARINE FF/WS ASSEMBLY-VOLVO PENTA	
BY		MARINE FF/WS ASSEMBLY-VOLVO PENTA	
CHKD		MARINE FF/WS ASSEMBLY-VOLVO PENTA	
DATE		MARINE FF/WS ASSEMBLY-VOLVO PENTA	
BY		MARINE FF/WS ASSEMBLY-VOLVO PENTA	
CHKD		MARINE FF/WS ASSEMBLY-VOLVO PENTA	
DATE		MARINE FF/WS ASSEMBLY-VOLVO PENTA	
BY		MARINE FF/WS ASSEMBLY-VOLVO PENTA	
CHKD		MARINE FF/WS ASSEMBLY-VOLVO PENTA	
DATE		MARINE FF/WS ASSEMBLY-VOLVO PENTA	
BY		MARINE FF/WS ASSEMBLY-VOLVO PENTA	
CHKD		MARINE FF/WS ASSEMBLY-VOLVO PENTA	
DATE		MARINE FF/WS ASSEMBLY-VOLVO PENTA	
BY		MARINE FF/WS ASSEMBLY-VOLVO PENTA	
CHKD		MARINE FF/WS ASSEMBLY-VOLVO PENTA	
DATE		MARINE FF/WS ASSEMBLY-VOLVO PENTA	
BY		MARINE FF/WS ASSEMBLY-VOLVO PENTA	
CHKD		MARINE FF/WS ASSEMBLY-VOLVO PENTA	
DATE		MARINE FF/WS ASSEMBLY-VOLVO PENTA	
BY		MARINE FF/WS ASSEMBLY-VOLVO PENTA	
CHKD		MARINE FF/WS ASSEMBLY-VOLVO PENTA	
DATE		MARINE FF/WS ASSEMBLY-VOLVO PENTA	
BY		MARINE FF/WS ASSEMBLY-VOLVO PENTA	
CHKD		MARINE FF/WS ASSEMBLY-VOLVO PENTA	
DATE		MARINE FF/WS ASSEMBLY-VOLVO PENTA	
BY		MARINE FF/WS ASSEMBLY-VOLVO PENTA	
CHKD		MARINE FF/WS ASSEMBLY-VOLVO PENTA	
DATE		MARINE FF/WS ASSEMBLY-VOLVO PENTA	
BY		MARINE FF/WS ASSEMBLY-VOLVO PENTA	
CHKD		MARINE FF/WS ASSEMBLY-VOLVO PENTA	
DATE		MARINE FF/WS ASSEMBLY-VOLVO PENTA	
BY		MARINE FF/WS ASSEMBLY-VOLVO PENTA	
CHKD		MARINE FF/WS ASSEMBLY-VOLVO PENTA	
DATE		MARINE FF/WS ASSEMBLY-VOLVO PENTA	
BY		MARINE FF/WS ASSEMBLY-VOLVO PENTA	
CHKD		MARINE FF/WS ASSEMBLY-VOLVO PENTA	
DATE		MARINE FF/WS ASSEMBLY-VOLVO PENTA	
BY		MARINE FF/WS ASSEMBLY-VOLVO PENTA	
CHKD		MARINE FF/WS ASSEMBLY-VOLVO PENTA	
DATE		MARINE FF/WS ASSEMBLY-VOLVO PENTA	
BY		MARINE FF/WS ASSEMBLY-VOLVO PENTA	
CHKD		MARINE FF/WS ASSEMBLY-VOLVO PENTA	
DATE		MARINE FF/WS ASSEMBLY-VOLVO PENTA	
BY		MARINE FF/WS ASSEMBLY-VOLVO PENTA	
CHKD		MARINE FF/WS ASSEMBLY-VOLVO PENTA	
DATE		MARINE FF/WS ASSEMBLY-VOLVO PENTA	
BY		MARINE FF/WS ASSEMBLY-VOLVO PENTA	
CHKD		MARINE FF/WS ASSEMBLY-VOLVO PENTA	
DATE		MARINE FF/WS ASSEMBLY-VOLVO PENTA	
BY		MARINE FF/WS ASSEMBLY-VOLVO PENTA	
CHKD		MARINE FF/WS ASSEMBLY-VOLVO PENTA	
DATE		MARINE FF/WS ASSEMBLY-VOLVO PENTA	
BY		MARINE FF/WS ASSEMBLY-VOLVO PENTA	
CHKD		MARINE FF/WS ASSEMBLY-VOLVO PENTA	
DATE		MARINE FF/WS ASSEMBLY-VOLVO PENTA	
BY		MARINE FF/WS ASSEMBLY-VOLVO PENTA	
CHKD		MARINE FF/WS ASSEMBLY-VOLVO PENTA	
DATE		MARINE FF/WS ASSEMBLY-VOLVO PENTA	
BY		MARINE FF/WS ASSEMBLY-VOLVO PENTA	
CHKD		MARINE FF/WS ASSEMBLY-VOLVO PENTA	
DATE		MARINE FF/WS ASSEMBLY-VOLVO PENTA	
BY		MARINE FF/WS ASSEMBLY-VOLVO PENTA	
CHKD		MARINE FF/WS ASSEMBLY-VOLVO PENTA	
DATE		MARINE FF/WS ASSEMBLY-VOLVO PENTA	
BY		MARINE FF/WS ASSEMBLY-VOLVO PENTA	
CHKD		MARINE FF/WS ASSEMBLY-VOLVO PENTA	
DATE		MARINE FF/WS ASSEMBLY-VOLVO PENTA	
BY		MARINE FF/WS ASSEMBLY-VOLVO PENTA	
CHKD		MARINE FF/WS ASSEMBLY-VOLVO PENTA	
DATE		MARINE FF/WS ASSEMBLY-VOLVO PENTA	
BY		MARINE FF/WS ASSEMBLY-VOLVO PENTA	
CHKD		MARINE FF/WS ASSEMBLY-VOLVO PENTA	
DATE		MARINE FF/WS ASSEMBLY-VOLVO PENTA	
BY		MARINE FF/WS ASSEMBLY-VOLVO PENTA	
CHKD		MARINE FF/WS ASSEMBLY-VOLVO PENTA	
DATE		MARINE FF/WS ASSEMBLY-VOLVO PENTA	
BY		MARINE FF/WS ASSEMBLY-VOLVO PENTA	
CHKD		MARINE FF/WS ASSEMBLY-VOLVO PENTA	
DATE		MARINE FF/WS ASSEMBLY-VOLVO PENTA	
BY		MARINE FF/WS ASSEMBLY-VOLVO PENTA	
CHKD		MARINE FF/WS ASSEMBLY-VOLVO PENTA	
DATE		MARINE FF/WS ASSEMBLY-VOLVO PENTA	
BY		MARINE FF/WS ASSEMBLY-VOLVO PENTA	
CHKD		MARINE FF/WS ASSEMBLY-VOLVO PENTA	
DATE		MARINE FF/WS ASSEMBLY-VOLVO PENTA	
BY		MARINE FF/WS ASSEMBLY-VOLVO PENTA	
CHKD		MARINE FF/WS ASSEMBLY-VOLVO PENTA	
DATE		MARINE FF/WS ASSEMBLY-VOLVO PENTA	
BY		MARINE FF/WS ASSEMBLY-VOLVO PENTA	
CHKD		MARINE FF/WS ASSEMBLY-VOLVO PENTA	
DATE		MARINE FF/WS ASSEMBLY-VOLVO PENTA	
BY		MARINE FF/WS ASSEMBLY-VOLVO PENTA	
CHKD		MARINE FF/WS ASSEMBLY-VOLVO PENTA	
DATE		MARINE FF/WS ASSEMBLY-VOLVO PENTA	
BY		MARINE FF/WS ASSEMBLY-VOLVO PENTA	
CHKD		MARINE FF/WS ASSEMBLY-VOLVO PENTA	
DATE		MARINE FF/WS ASSEMBLY-VOLVO PENTA	
BY		MARINE FF/WS ASSEMBLY-VOLVO PENTA	
CHKD		MARINE FF/WS ASSEMBLY-VOLVO PENTA	
DATE		MARINE FF/WS ASSEMBLY-VOLVO PENTA	
BY		MARINE FF/WS ASSEMBLY-VOLVO PENTA	
CHKD		MARINE FF/WS ASSEMBLY-VOLVO PENTA	
DATE		MARINE FF/WS ASSEMBLY-VOLVO PENTA	
BY		MARINE FF/WS ASSEMBLY-VOLVO PENTA	
CHKD		MARINE FF/WS ASSEMBLY-VOLVO PENTA	
DATE		MARINE FF/WS ASSEMBLY-VOLVO PENTA	
BY		MARINE FF/WS ASSEMBLY-VOLVO PENTA	
CHKD		MARINE FF/WS ASSEMBLY-VOLVO PENTA	
DATE		MARINE FF/WS ASSEMBLY-VOLVO PENTA	
BY		MARINE FF/WS ASSEMBLY-VOLVO PENTA	
CHKD		MARINE FF/WS ASSEMBLY-VOLVO PENTA	
DATE		MARINE FF/WS ASSEMBLY-VOLVO PENTA	
BY		MARINE FF/WS ASSEMBLY-VOLVO PENTA	
CHKD		MARINE FF/WS ASSEMBLY-VOLVO PENTA	
DATE		MARINE FF/WS ASSEMBLY-VOLVO PENTA	
BY		MARINE FF/WS ASSEMBLY-VOLVO PENTA	
CHKD		MARINE FF/WS ASSEMBLY-VOLVO PENTA	
DATE		MARINE FF/WS ASSEMBLY-VOLVO PENTA	
BY		MARINE FF/WS ASSEMBLY-VOLVO PENTA	
CHKD		MARINE FF/WS ASSEMBLY-VOLVO PENTA	
DATE		MARINE FF/WS ASSEMBLY-VOLVO PENTA	
BY		MARINE FF/WS ASSEMBLY-VOLVO PENTA	
CHKD		MARINE FF/WS ASSEMBLY-VOLVO PENTA	
DATE		MARINE FF/WS ASSEMBLY-VOLVO PENTA	
BY		MARINE FF/WS ASSEMBLY-VOLVO PENTA	
CHKD		MARINE FF/WS ASSEMBLY-VOLVO PENTA	
DATE		MARINE FF/WS ASSEMBLY-VOLVO PENTA	
BY		MARINE FF/WS ASSEMBLY-VOLVO PENTA	
CHKD		MARINE FF/WS ASSEMBLY-VOLVO PENTA	
DATE		MARINE FF/WS ASSEMBLY-VOLVO PENTA	
BY		MARINE FF/WS ASSEMBLY-VOLVO PENTA	
CHKD		MARINE FF/WS ASSEMBLY-VOLVO PENTA	
DATE		MARINE FF/WS ASSEMBLY-VOLVO PENTA	
BY		MARINE FF/WS ASSEMBLY-VOLVO PENTA	
CHKD		MARINE FF/WS ASSEMBLY-VOLVO PENTA	
DATE		MARINE FF/WS ASSEMBLY-VOLVO PENTA	
BY		MARINE FF/WS ASSEMBLY-VOLVO PENTA	
CHKD		MARINE FF/WS ASSEMBLY-VOLVO PENTA	
DATE		MARINE FF/WS ASSEMBLY-VOLVO PENTA	
BY		MARINE FF/WS ASSEMBLY-VOLVO PENTA	
CHKD		MARINE FF/WS ASSEMBLY-VOLVO PENTA	
DATE		MARINE FF/WS ASSEMBLY-VOLVO PENTA	
BY		MARINE FF/WS ASSEMBLY-VOLVO PENTA	
CHKD		MARINE FF/WS ASSEMBLY-VOLVO PENTA	
DATE		MARINE FF/WS ASSEMBLY-VOLVO PENTA	
BY		MARINE FF/WS ASSEMBLY-VOLVO PENTA	
CHKD		MARINE FF/WS ASSEMBLY-VOLVO PENTA	
DATE		MARINE FF/WS ASSEMBLY-VOLVO PENTA	
BY		MARINE FF/WS ASSEMBLY-VOLVO PENTA	
CHKD		MARINE FF/WS ASSEMBLY-VOLVO PENTA	
DATE		MARINE FF/WS ASSEMBLY-VOLVO PENTA	
BY		MARINE FF/WS ASSEMBLY-VOLVO PENTA	
CHKD		MARINE FF/WS ASSEMBLY-VOLVO PENTA	
DATE		MARINE FF/WS ASSEMBLY-VOLVO PENTA	
BY		MARINE FF/WS ASSEMBLY-VOLVO PENTA	
CHKD		MARINE FF/WS ASSEMBLY	