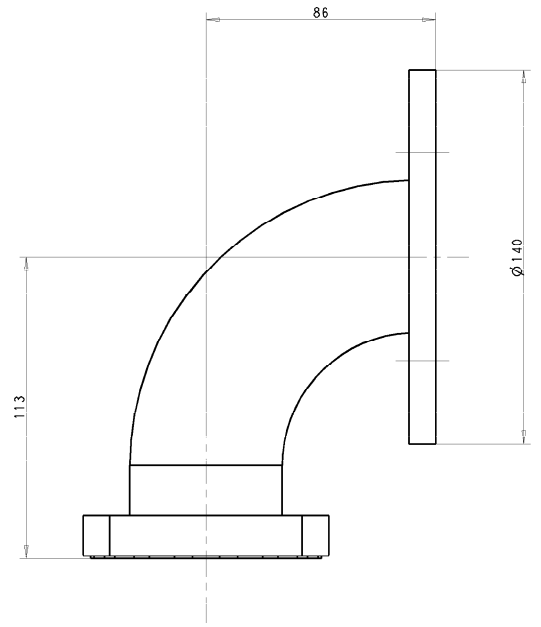
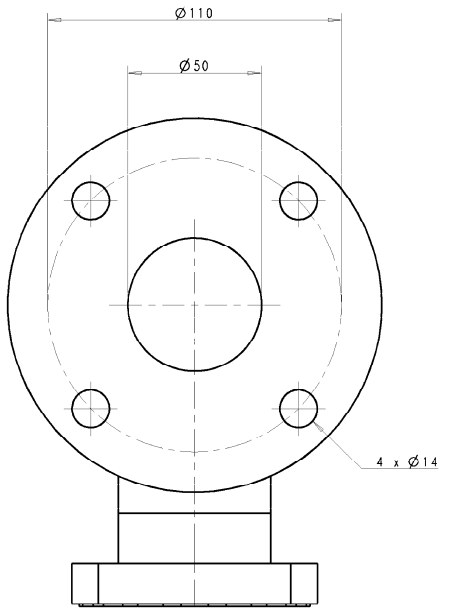


THIS FLANGE CAN BE TURNED IN RELATION TO THE TUBE AT 16 FIXED POSITIONS



<p>The copying, distribution and utilization of this document as well as the communication of its contents to others without expressed authorization is prohibited. Offenders will be held liable for payment of damages and costs incurred in the event of the grant of a patent, utility model or trademark registration.</p> <p>VOLVO PENTA</p>	<p>SYMBOLS, DESIGNATIONS AND GENERAL DRAWING METHODS: STD 101-0905 AND STD 5023-503</p>	<p>Document type DIMENSION DRAWING</p>	
	<p>Document No. 21308657</p>	<p>Issue code 01</p>	<p>Sheet No. 1(1)</p>
	<p>SEAWATER PIPE INLET</p>		
	<p>Clear design document prints</p>		