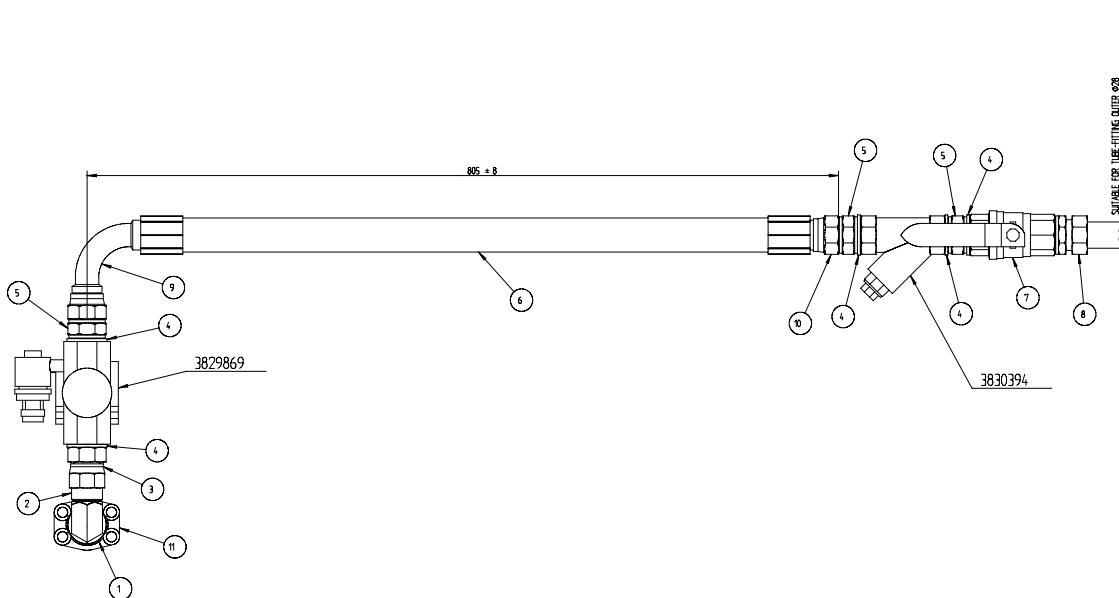
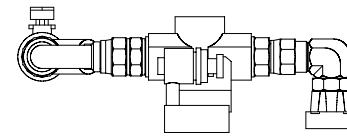
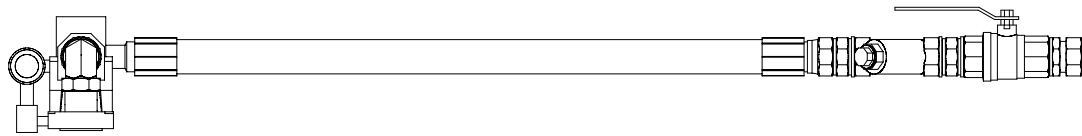


110



POS	QTY	SUPPLIER PART NO
1	1	5610-02-16
2	1	7204-16-16
3	1	7108-16-16
4	5	5601-01-16
5	3	7002-16-16
6	1	1003-00-16
7	1	8096-16-16
8	1	6009-28-16
9	1	3003-16-16
10	1	3001-16-16
11	1	5641-00-16

3829999

CLEANING THE ASSY. SHALL BE FREE FROM RUBBER RESIS AND OTHER PARTICLES AND IMPURITIES WHEN DELIVERED.

◇ MARKED ACC. TO STD 7411167

HOSE LINE MUST BE OF MAKE MAKE APPROVED BY "NORSKE VERITAS" AND "LLOYDS REGISTER OF SHIPPING" FOR USE ON HYDRAULIC SYSTEMS. TYPE APPROVAL SHALL BE ENCLOSED FROM EACH SUPPLIER.

HOSE LINE SHALL BE WORKING PRESSURE RESISTANT FROM -20°C TO 100°C.

WORKING PRESSURE 3000 kPa (30 bar)
 PRESSURE TESTED AT 4000 kPa (40 bar)
 BURSTING STRENGTH 8500 kPa (85 bar)

CONSEQUENCE CLASS I 4) APPLIES TO PROPERTIES NOT MARKED

9 REQUIRED DOCUMENTS			
DWG NO	ISSUE	CD	CD
3829866	03	DRAW NAME	PART/ASSY NAME
		PI02	3829866

AG 990708	3829866	PI02
HYDROSCAND	GENERAL DRAWING AND GENERAL DRAWING DETAILS	12
SEE NOTE	AB Volvo Penta	FIRST ANGLE PROJECTION
DATE	DATE	DATE
ASSY	ASSY	ASSY
17/01	17/01	17/01
199609	199609	199609
1	9	03