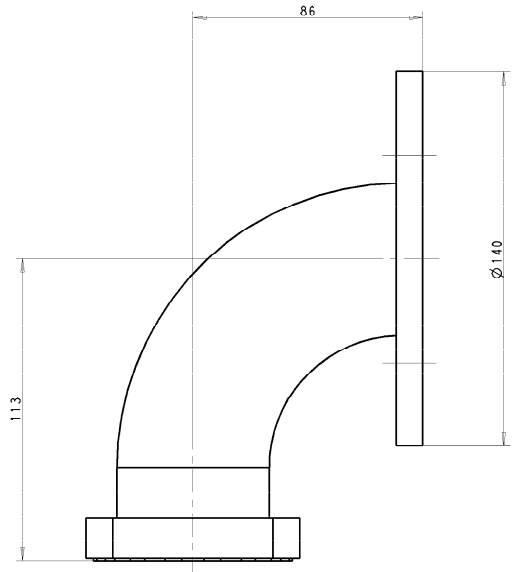
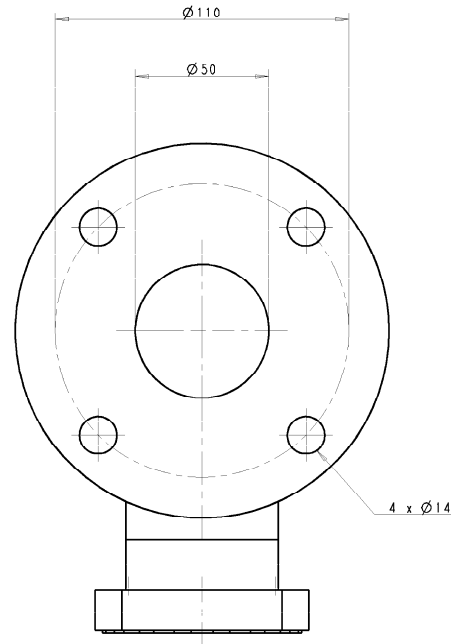


THIS FLANGE CAN BE TURNED IN RELATION TO THE TUBE AT 16 FIXED POSITIONS



SYMBOLS, DESIGNATIONS AND GENERAL DRAWING METHODS STD 101-0603 AND STD 5023-503		E	
<p>The copying, distribution and utilization of this document as well as the communication of its contents to others without expressed authorization is prohibited. Offenders will be held liable for payment of damages and costs incurred in the event of the grant of a patent, utility model or trademark registration.</p>			
VOLVO PENTA		DIMENSIONS SEAWATER PIPE OUTLET	
		DIMENSION DRAWING	
Document No. 21308603	Issue code 01	Sheet No. 1(1)	Scale