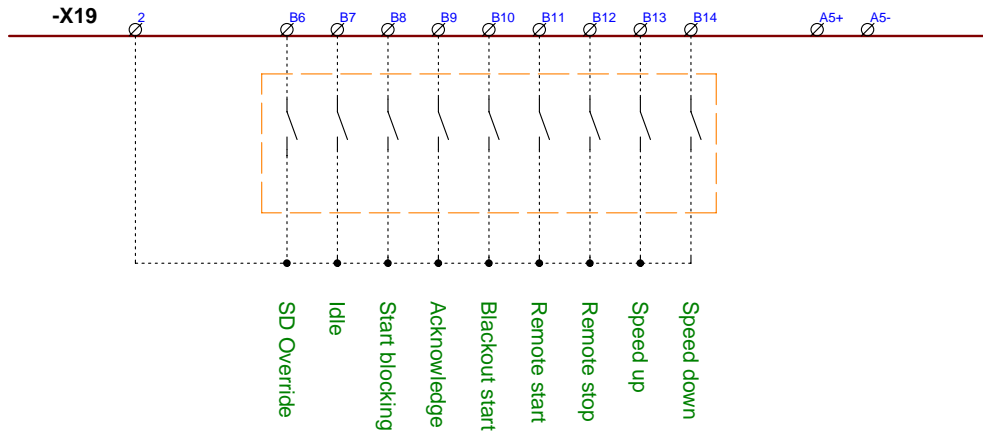


# Inputs

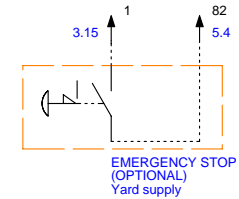
# Customer Interface

All terminals X1 through X19 are located in the system connection box mounted on a bracket at the rear of the genset.



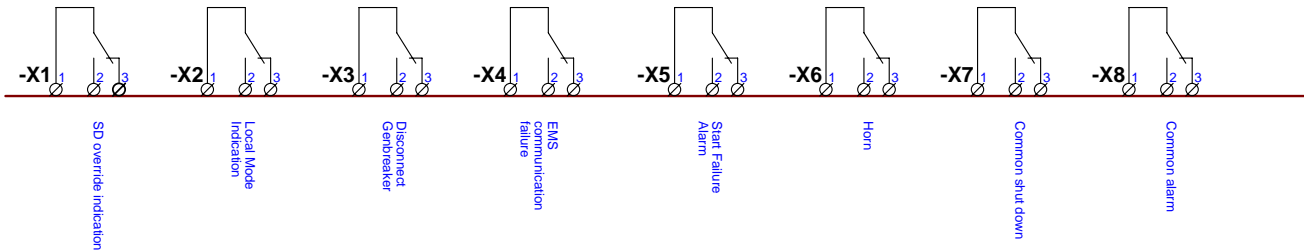
Optional rpm signals from load sharing and synchron. units. Implemented by Volvo Penta on request

Contacts for speed up and down (default)  
Voltage: ±1V  
Resistance: 0-250 Ohm, 0-2.4 kOhm  
Current: ±20 mA



# Outputs

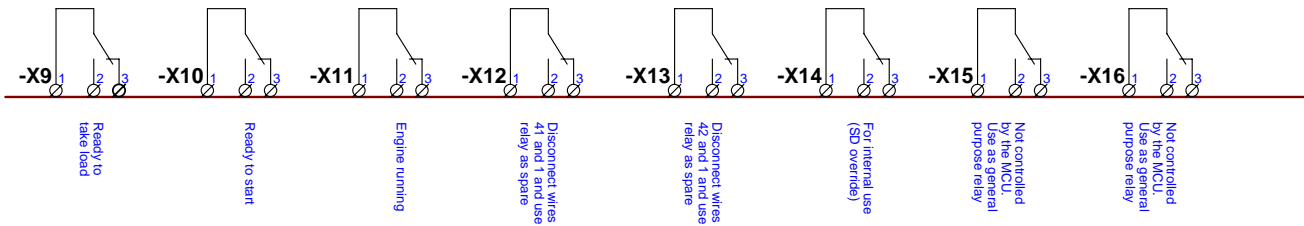
## Potential free relay contacts



**Shutdown override function**  
All shutdown's (SDU input's S1-S5) possible to override except overspeed shutdown, which are not possible to override

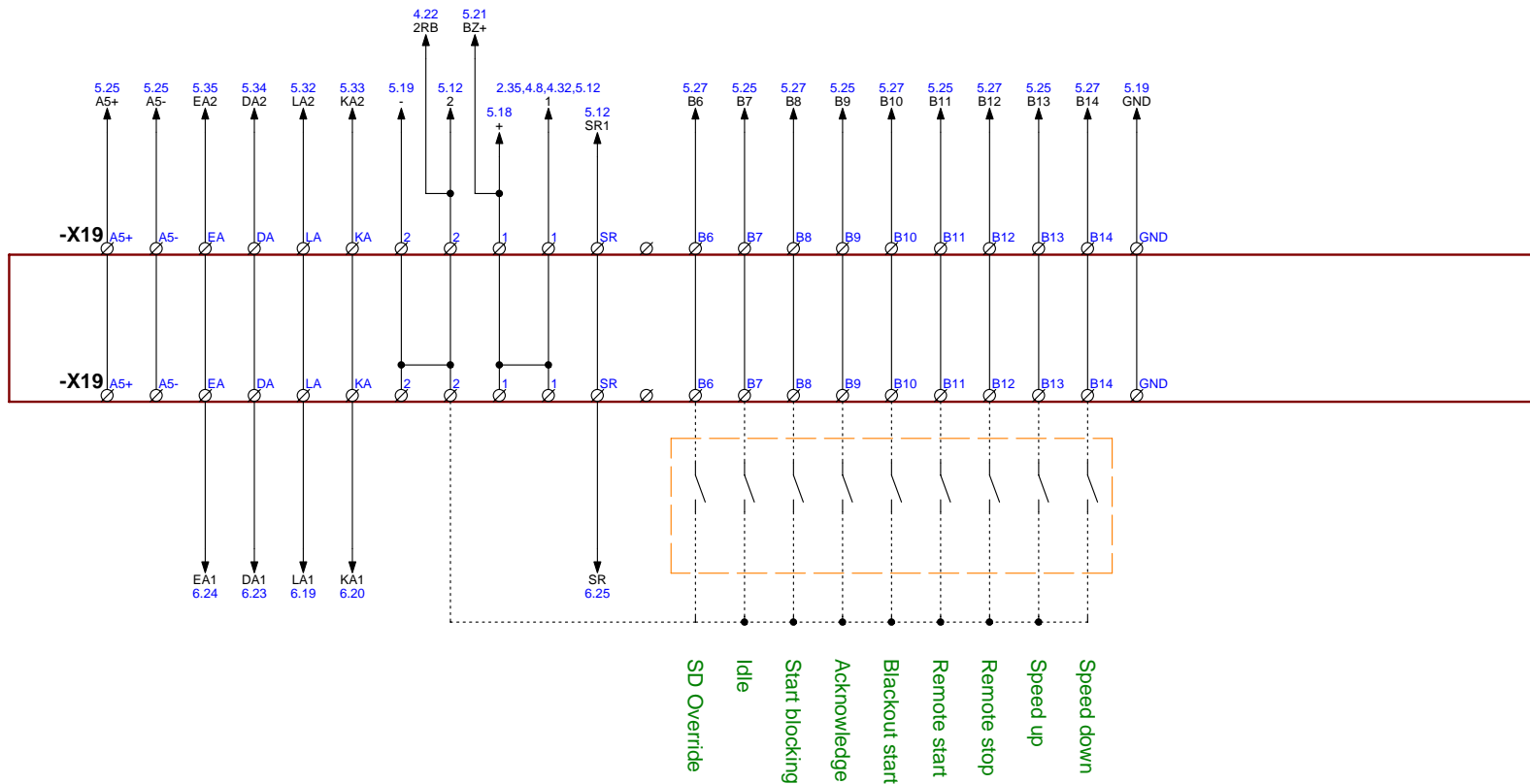
**Max 24VDC, 230VAC not allowed, on relay contacts**

## Potential free relay contacts



Customer/Shipyard:	File Name: SEM-051114-45G	Drawing no. <b>SEM-051114-45G</b>
Hull No:	Drawn by: RJ	Project no.
Engine: D16C AUX HE/KC Electrical Starter	Based on software: 21654483_P01	Page 2 of 8
Page Title: Customer Interface	Date For Last Change: 2012-12-19 11:48:50	

# System Connection Box

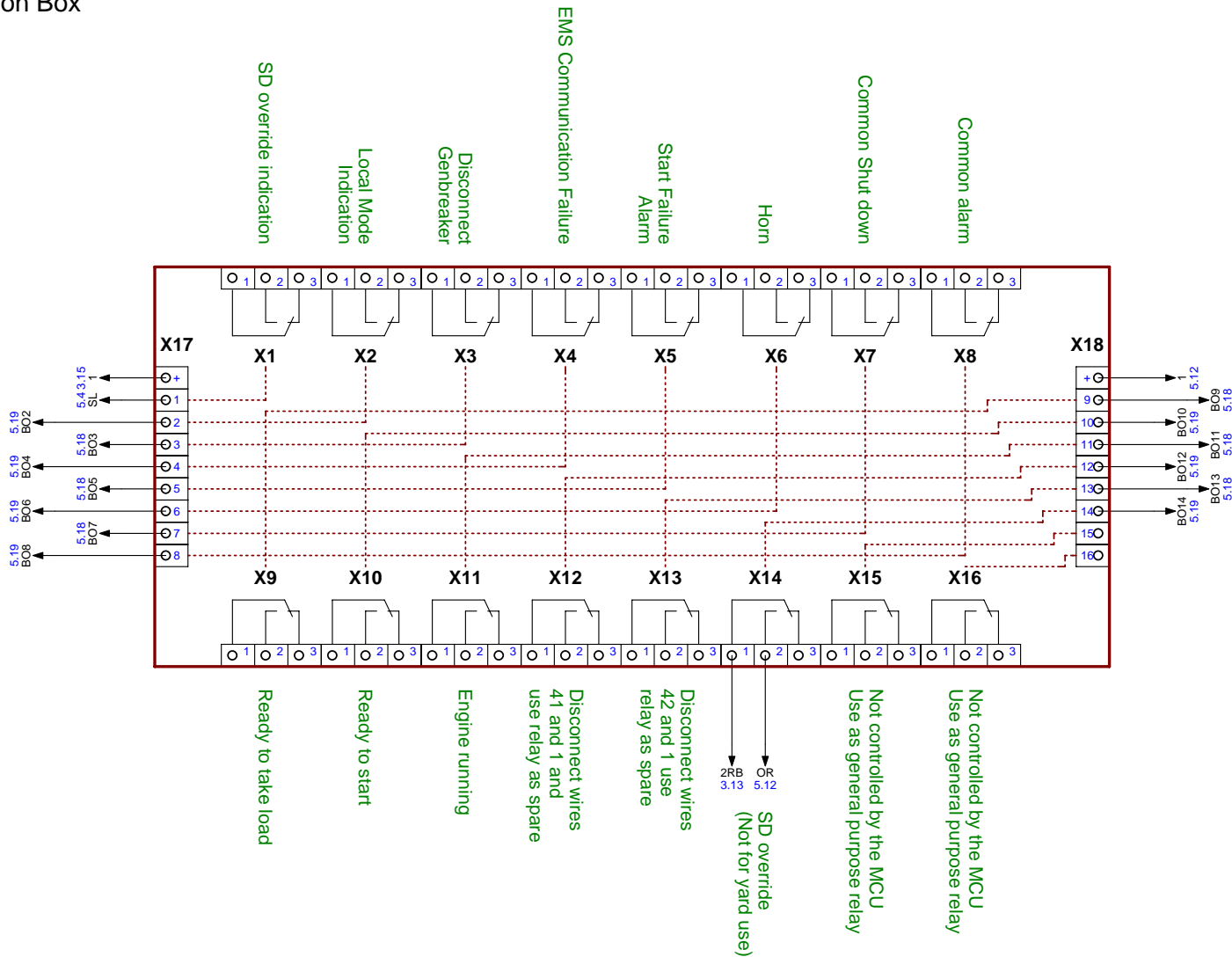


Customer/Shipyard:  
 Hull No:  
 Engine: D16C AUX HE/KC Electrical Starter  
 Page Title: User inputs , -X19 terminals

File Name: SEM-051114-45G  
 Drawn by: RJ  
 Based on software: 21654483\_P01  
 Date For Last Change: 2012-12-19 08:28:04

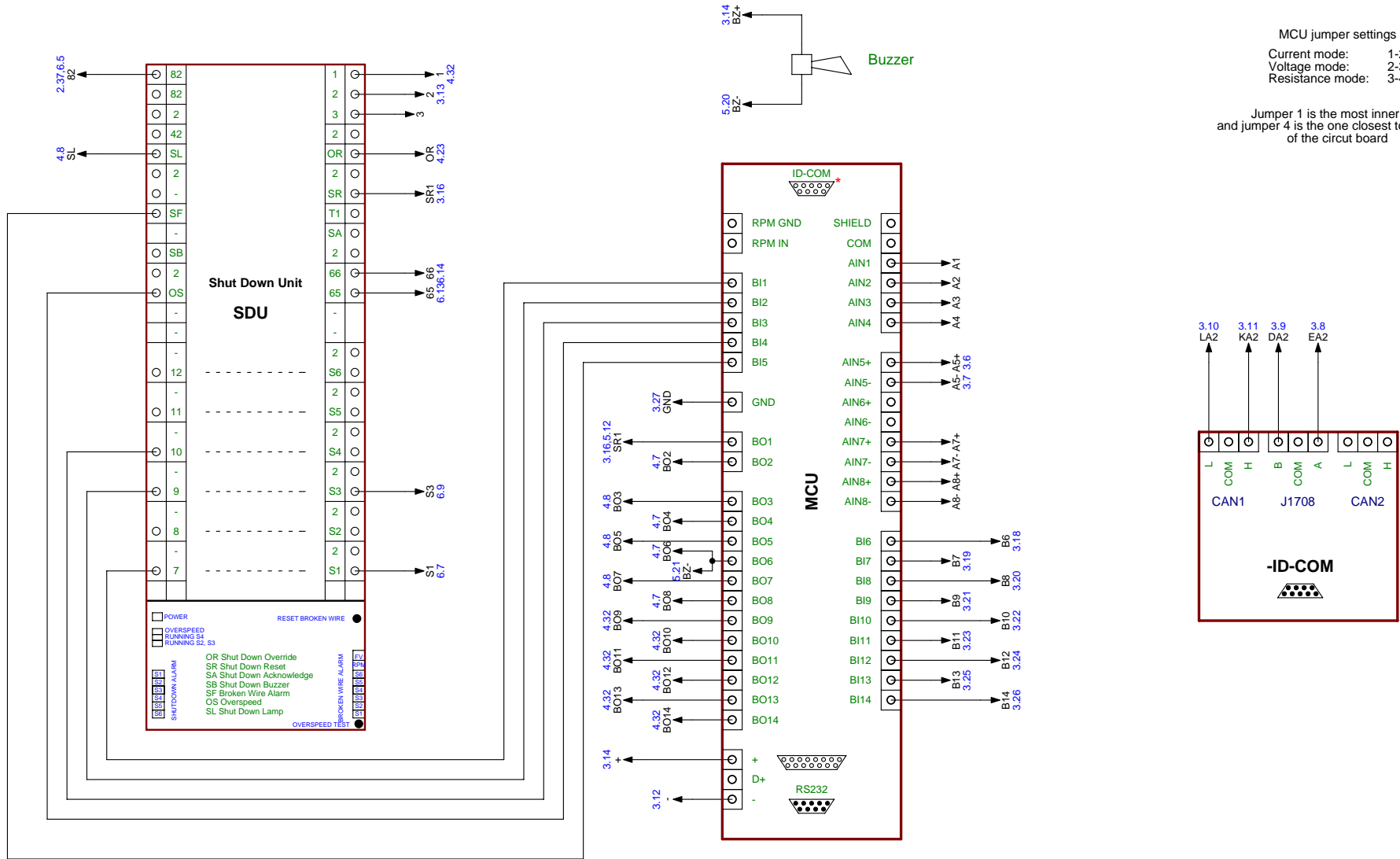
Drawing no. **SEM-051114-45G**  
 Project no.  
 Page 3 of 8

# System Connection Box



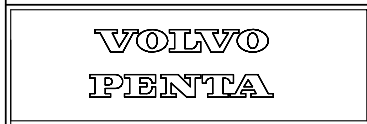
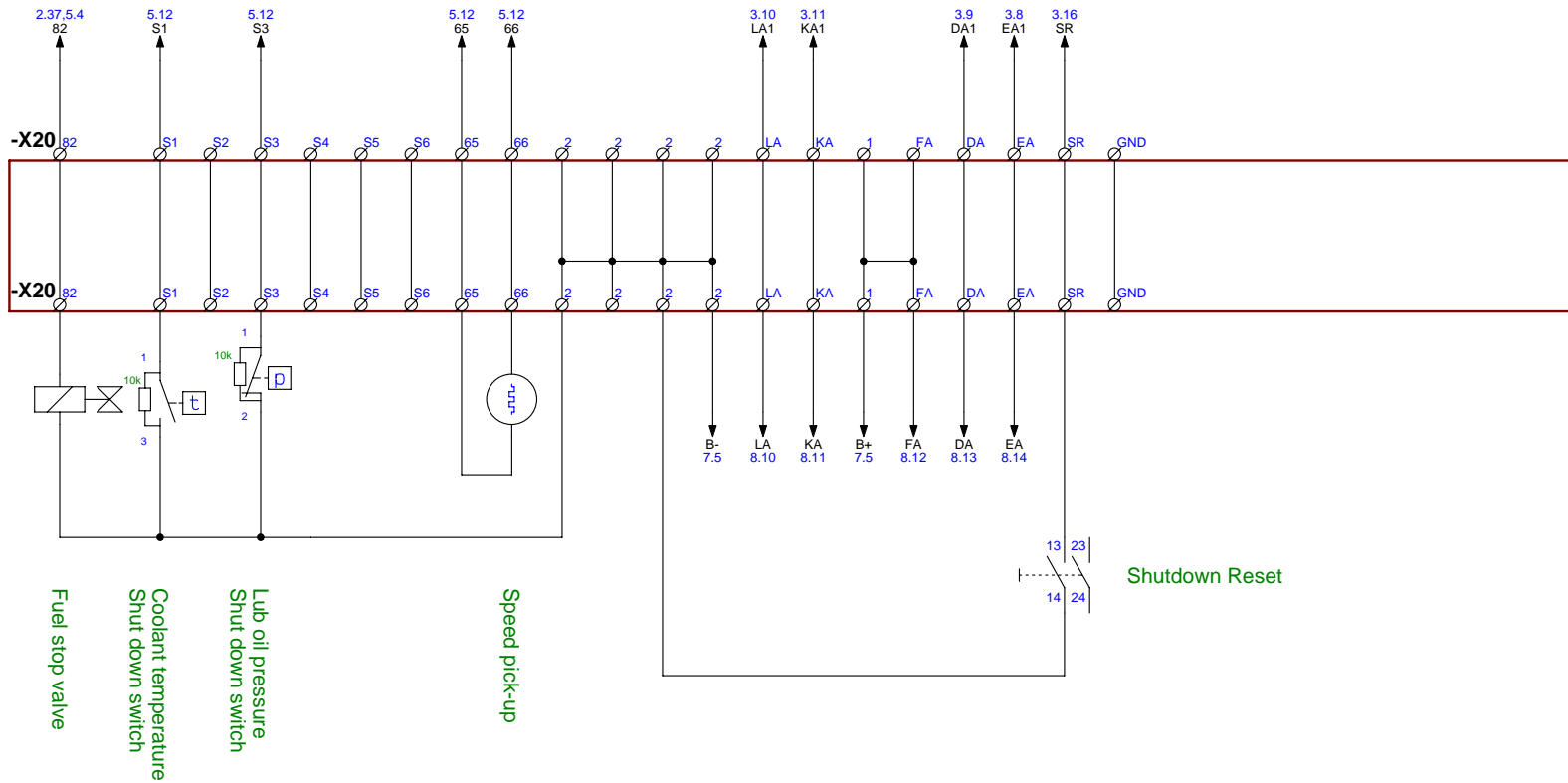
	Customer/Shipyard:	File Name: SEM-051114-45G	Drawing no.
	Hull No:	Drawn by: RJ	<b>SEM-051114-45G</b>
	Engine: D16C AUX HE/KC Electrical Starter	Based on software: 21654483_P01	Project no.
	Page Title: Potential free contacts	Date For Last Change: 2012-12-19 08:20:22	Page 4 of 8

# System Connection Box



Customer/Shipyard:	File Name: SEM-051114-45G	Drawing no. SEM-051114-45G
Hull No:	Drawn by: RJ	Project no.
Engine: D16C AUX HE/KC Electrical Starter	Based on software: 21654483_P01	Page 5 of 8
Page Title: MCU, SDU and ID-COM	Date For Last Change: 2012-12-20 10:25:44	

# Engine Connection Box

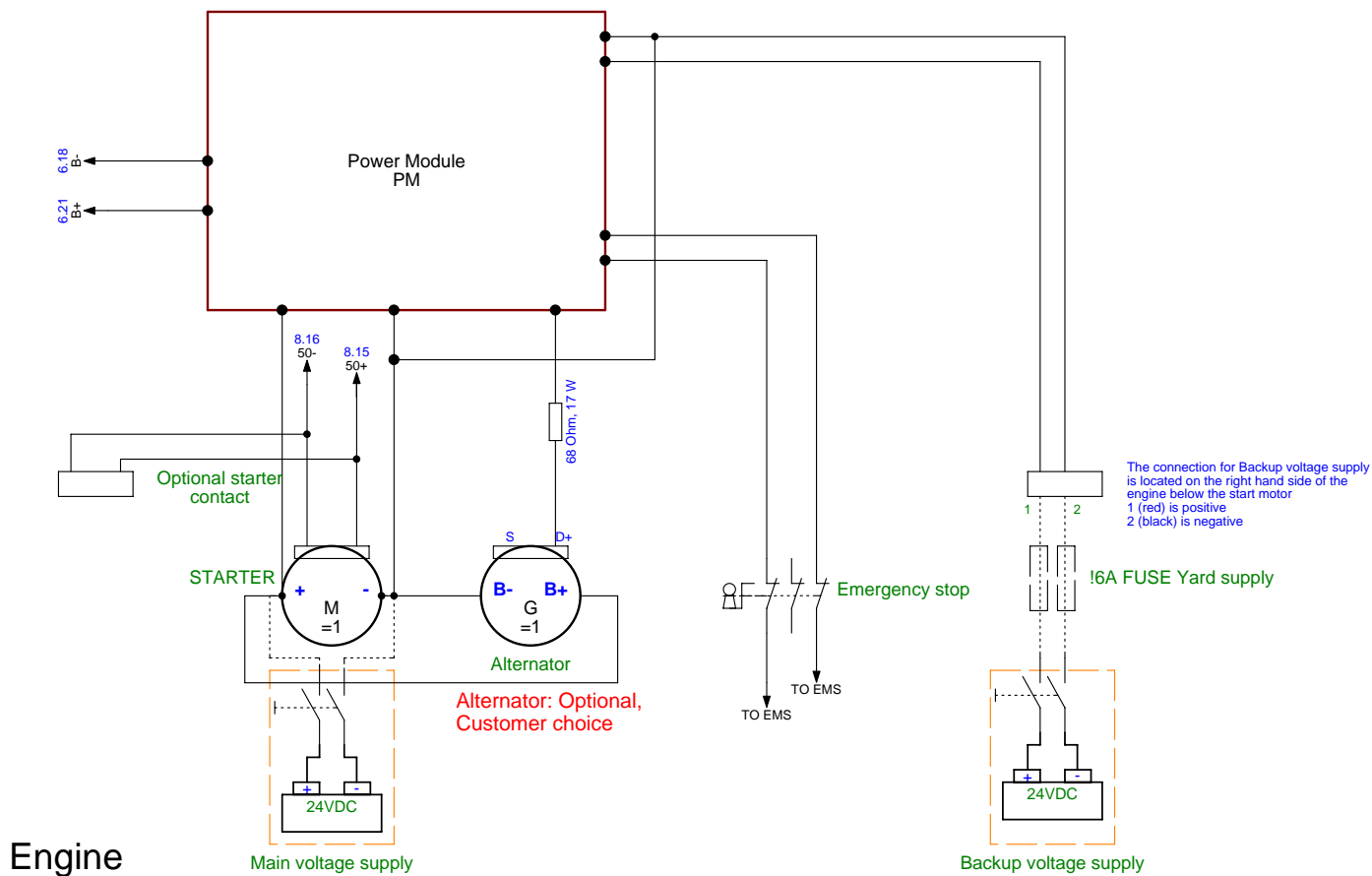


Customer/Shipyard:  
 Hull No:  
 Engine: D16C AUX HE/KC Electrical Starter  
 Page Title: Terminals -X20

File Name: SEM-051114-45G  
 Drawn by: RJ  
 Based on software: 21654483\_P01  
 Date For Last Change: 2012-12-05 09:26:02

Drawing no. **SEM-051114-45G**  
 Project no.  
 Page 6 of 8

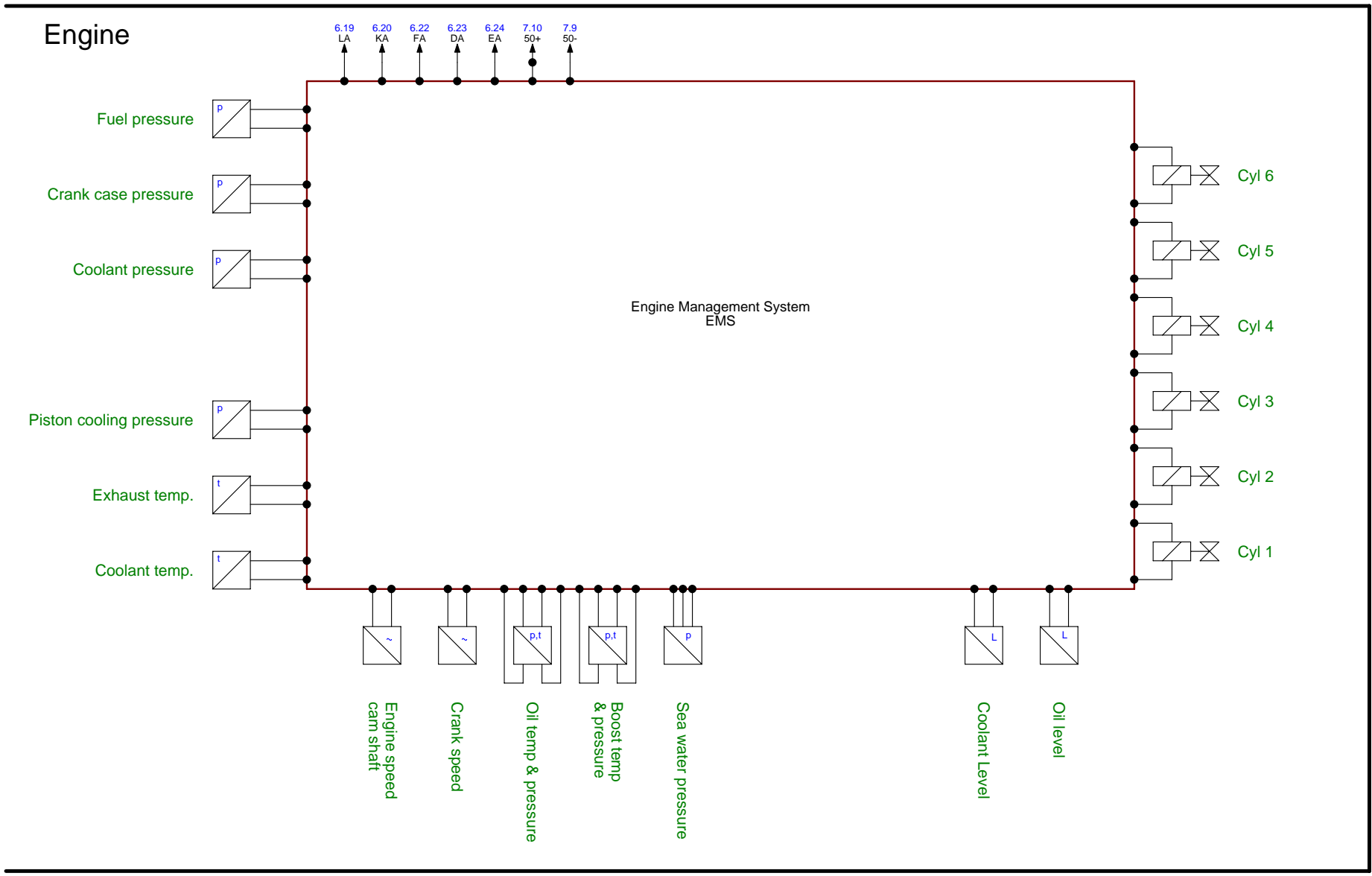
# Electric Starter



Customer/Shipyard:  
Hull No:  
Engine: D16C AUX HE/KC Electrical Starter  
Page Title: Voltage supply, Electric Starter

File Name: SEM-051114-45G  
Drawn by: RJ  
Based on software: 21654483\_P01  
Date For Last Change: 2012-12-20 10:22:06

Drawing no. **SEM-051114-45G**  
Project no.  
Page 7 of 8



<b>VOLVO</b> <b>PENTA</b>	Customer/Shipyard:	File Name: SEM-051114-45G	Drawing no.
	Hull No:	Drawn by: RJ	<b>SEM-051114-45G</b>
	Engine: D16C AUX HE/KC Electrical Starter	Based on software: 21654483_P01	Project no.
	Page Title: Engine sensors and EMS	Date For Last Change: 2012-12-20 10:35:54	Page 8 of 8