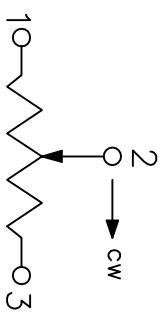
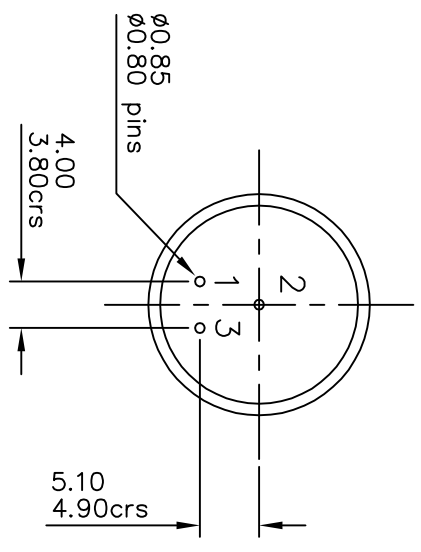
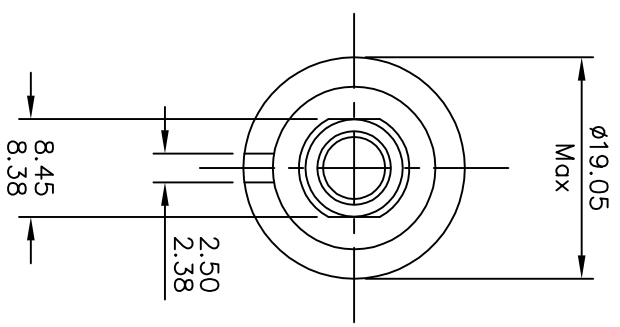
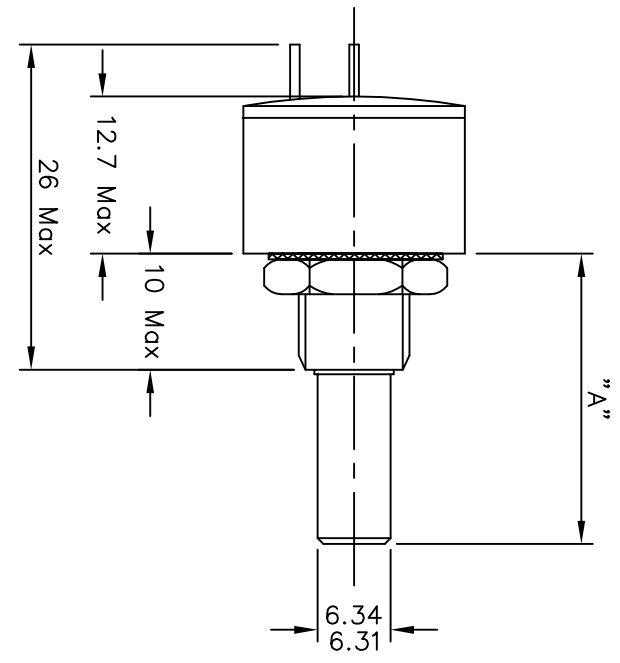


DEO-2008

ISSUE  
A

IF IN DOUBT-ASK  
DO NOT SCALE

FIRST W.O.



NEWAGE PART No.	DIMENSION "A"	SLOT DIMENSIONS
071-01640	16mm SLOTTED	1.53 DEEP x 1.53 WIDE
071-01646	25mm PLAIN	-

4/2821/1	A	SMH	24:01:00	ORIGINAL ISSUE
MOD.	ISS.	DRN.	DATE	ALTERATION

CERTIFIED PRINT (ONLY IF SIGNED)	
BY	
DATE	
DRAWN	SMH
CHD	24:01:00
APP'D	

HAND VOLTAGE  
TRIMMER

NEWAGE INTERNATIONAL LTD  
STAMFORD, ENGLAND

SCALE	2:1
FIRST W.O.	
DEO-2008	
ISSUE	A