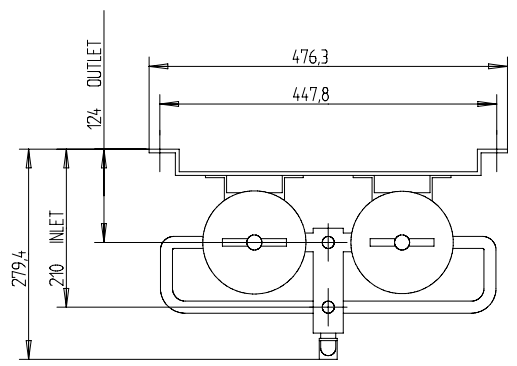
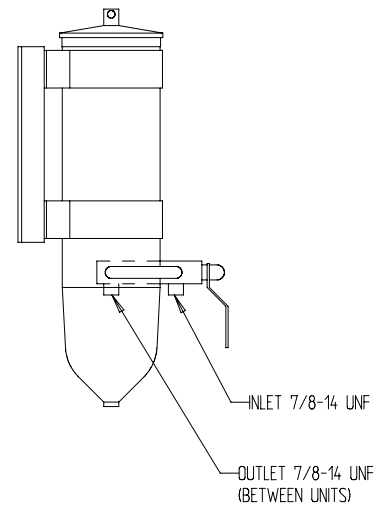
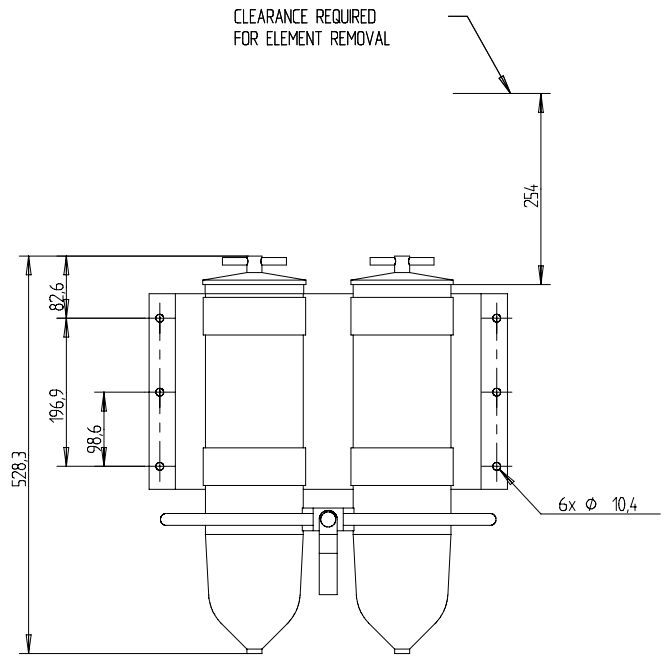


Engineering Release Notice (EN)	Location	Change description A-Added D-Deleted	W/Inas	P/A: 1. 0. main D. 1. 1. main	Document release status
				Date	Modification count



SCALE 1:5

1) REQUIRED DOCUMENTS				
DWG No	ISSUE	CAD DRAW NAME	CAD PART/ASSY NAME	BASE
	01	ZOC4757_889281	889281.1	

SYMBOLS, DESIGNATIONS AND GENERAL DRAWING METHODS STD 101-0005 AND STD 5023503		
Document title: FUEL FILTER		
Document type:		
Owner domain/Document prefix:		
		Document No: 01 Issue index: 01 Sheet No: 1/1