

**3594401, 3594403, 3831401, 3886131, 21420053 Silencer, heavy duty**

Heavy duty silencer

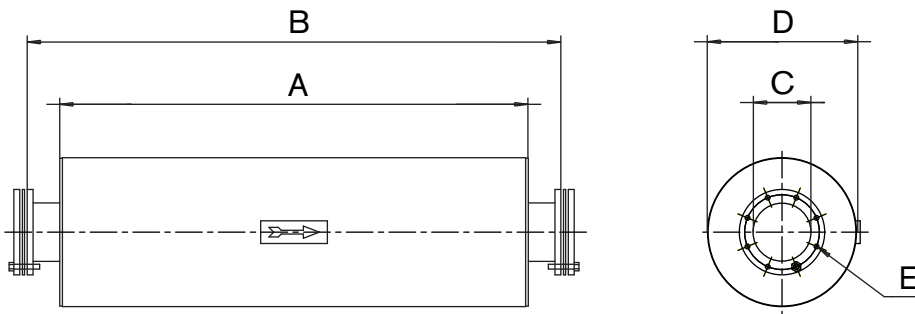
Attenuation: 35dBA

Material silencer: 235 JR G2

Material flanges: 235 JR G2

Finish: Pyropaint 600 Light Anthracite D5024

<b>Kit includes:</b>	<b>Qty</b>
Silencer	1
Weld flanges	2
Gaskets	2
Bolts and nuts	According to flange dimensions



<b>Part no.</b>	<b>Dimension</b>	<b>A [mm]</b>	<b>B [mm]</b>	<b>C [mm]</b>	<b>D [mm]</b>	<b>Flange standard</b>	<b>E [mm]</b>	<b>Weight approx. [kg]</b>
3594401	4"	1270.0	1500.0	114.3	356.0	DIN 2573 PN6	4x Ø 18 x170	55
3594403	5"	1275.0	1500.0	139.7	401.0	DIN 2573 PN6	8x Ø 18 x200	75
21420053	6"	1506.0	1750.0	168.3	482.0	DIN 2573 PN6	8x Ø 18 x225	130
3886131	7"	1506.0	1750.0	193.7	558.0	DIN 2576 PN10	8x Ø 22 x270	160
3831401	8"	1756.0	2000.0	219.1	558.0	DIN 2573 PN6	8x Ø 18 x280	180