

	Customer/Shipyard:	File Name: SEM-051114-03H	Drawing no.
	Hull No:	Drawn by: RJ	<b>SEM-051114-03H</b>
	Engine: D9A RC EME Electrical Starter	Based on software: 21654503_P01	Project no.
	Page Title: Single line diagram - System layout	Date For Last Change: 2008-11-12 15:58:44	Page 1 of 8

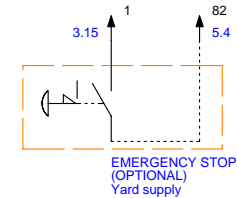
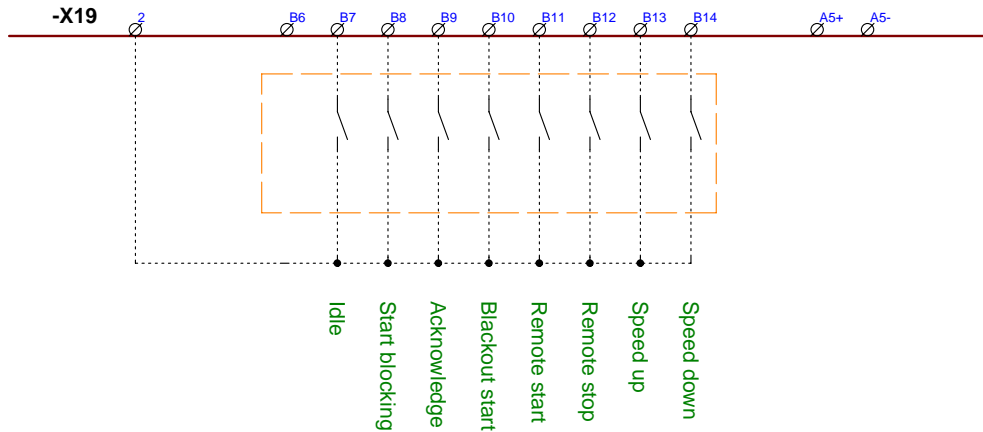
# Inputs

# Customer Interface

All terminals X1 through X19 are located in the system connection box mounted on a bracket at the rear of the genset.

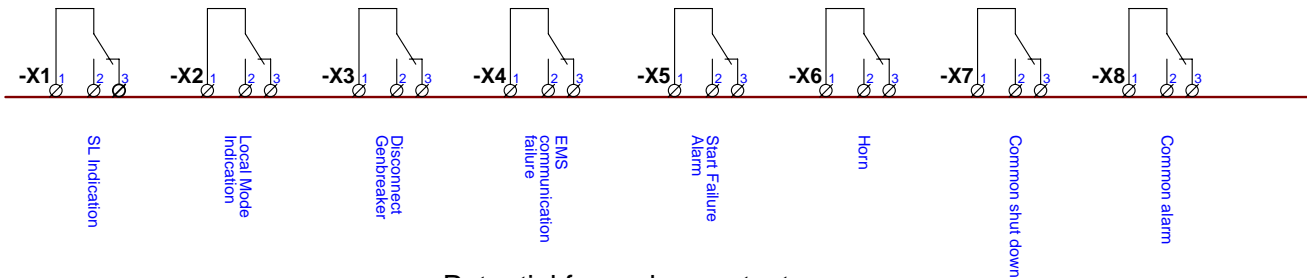
Optional rpm signals from load sharing and synchr. units. Implemented by Volvo Penta on request

Contacts for speed up and down (default)  
 Voltage: ±1V  
 Resistance: 0-250 Ohm, 0-2.4 kOhm  
 Current: ±20 mA

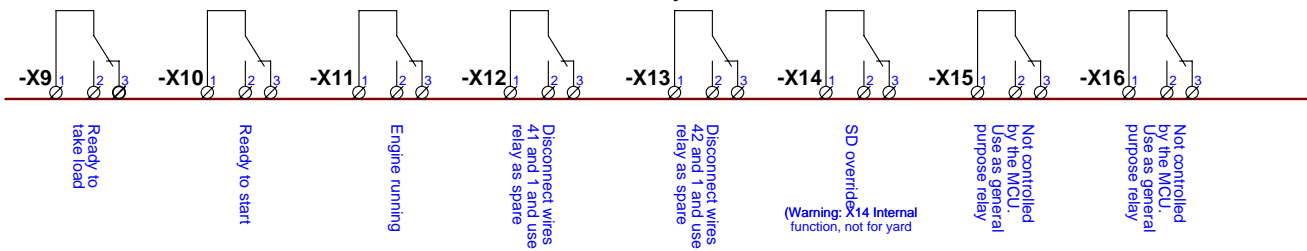


# Outputs

## Potential free relay contacts



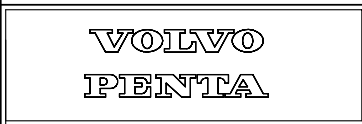
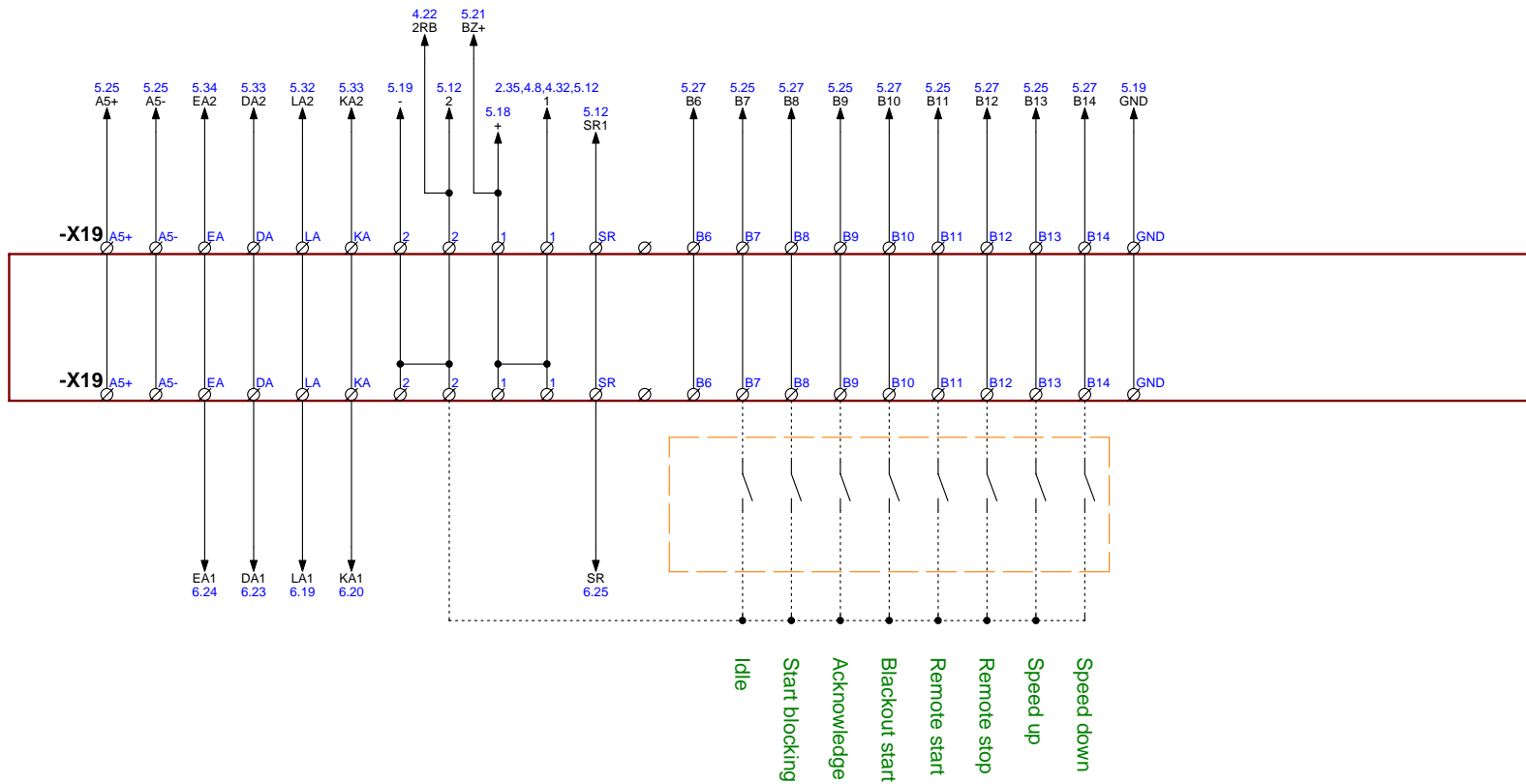
## Potential free relay contacts



Customer/Shipyard:	File Name: SEM-051114-03H
Hull No:	Drawn by: RJ
Engine: D9A RC EME Electrical Starter	Based on software: 21654503_P01
Page Title: Customer Interface	Date For Last Change: 2012-12-18 11:22:00

Drawing no. <b>SEM-051114-03H</b>
Project no.
Page 2 of 8

# System Connection Box

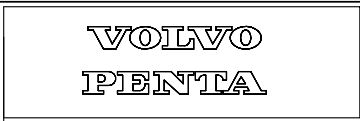
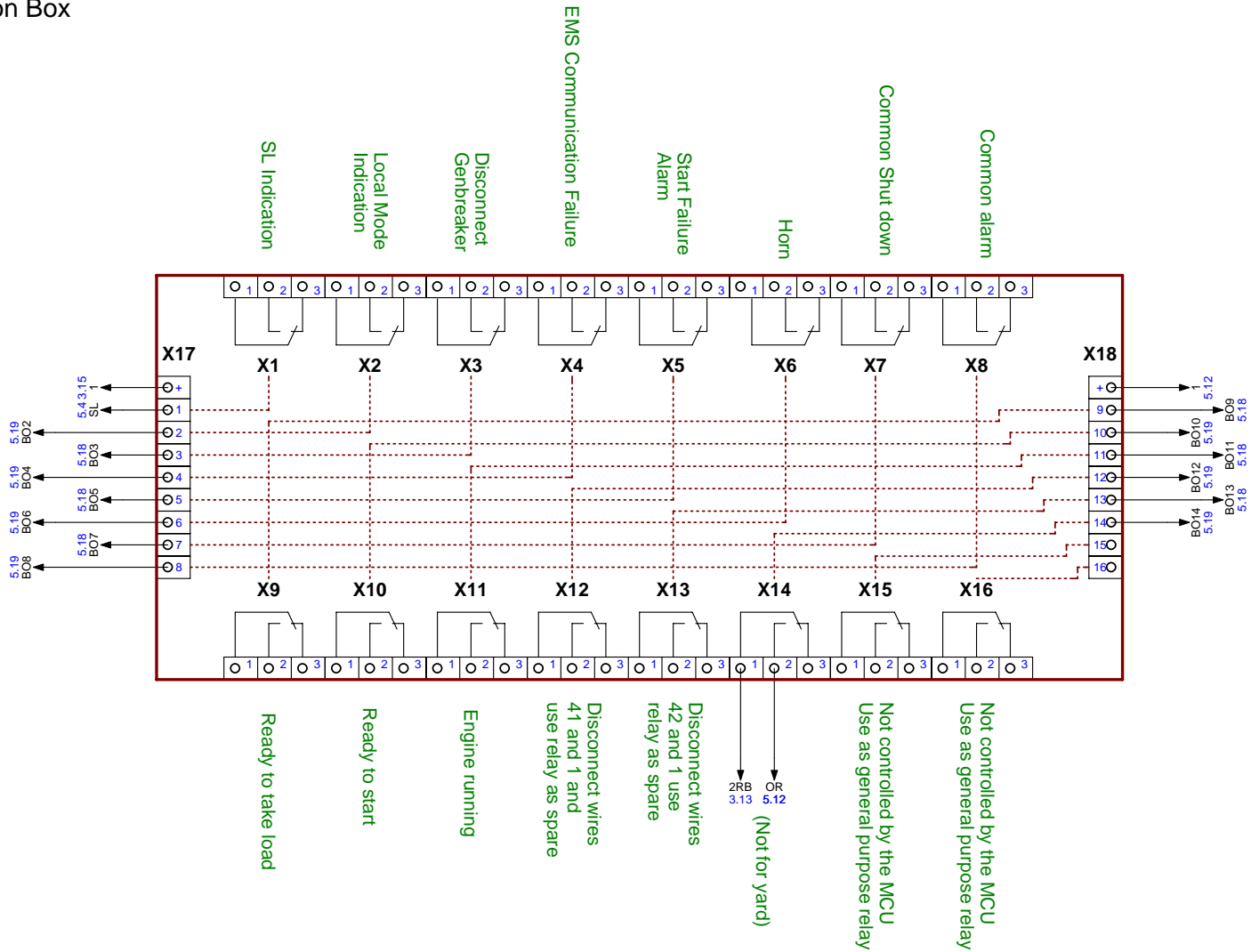


Customer/Shipyard:  
 Hull No:  
 Engine: D9A RC EME Electrical Starter  
 Page Title: User inputs , -X19 terminals

File Name: SEM-051114-03H  
 Drawn by: RJ  
 Based on software: 21654503\_P01  
 Date For Last Change: 2012-12-06 14:15:46

Drawing no. **SEM-051114-03H**  
 Project no.  
 Page 3 of 8

# System Connection Box

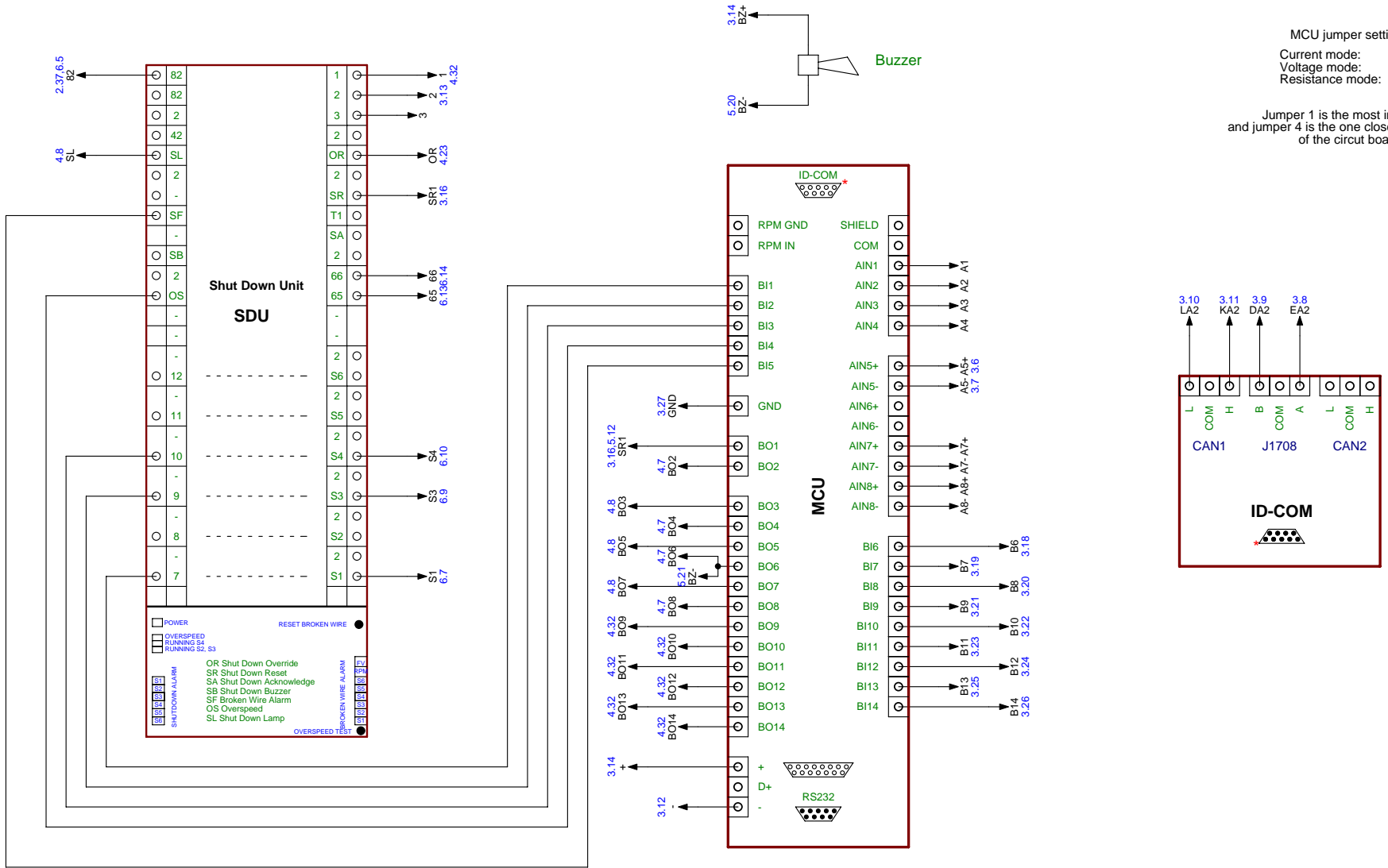


Customer/Shipyard:  
 Hull No:  
 Engine: D9A RC EME Electrical Starter  
 Page Title: Potential free contacts

File Name: SEM-051114-03H  
 Drawn by: RJ  
 Based on software: 21654503\_P01  
 Date For Last Change: 2012-12-18 11:25:34

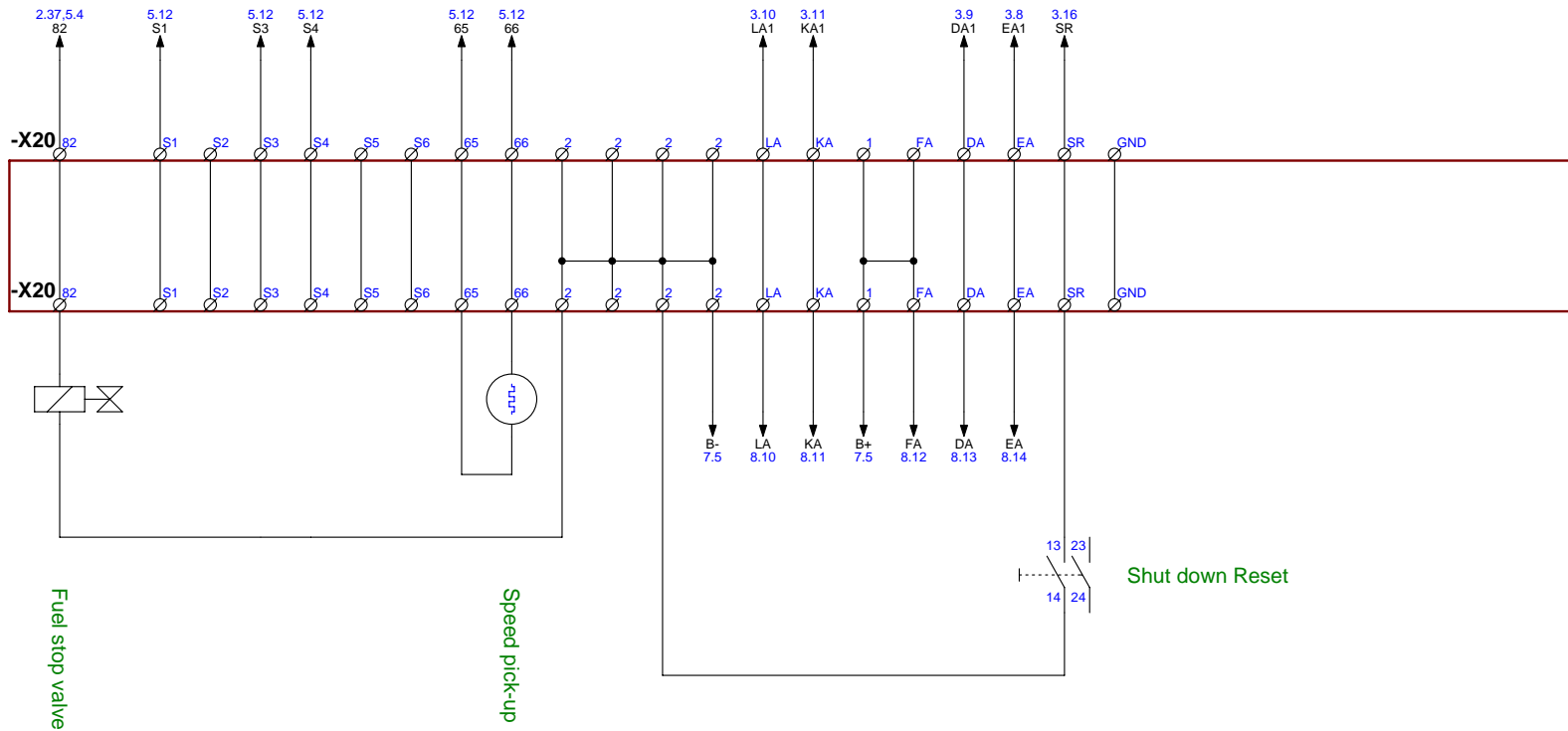
Drawing no.  
**SEM-051114-03H**  
 Project no.  
 Page 4 of 8

# System Connection Box



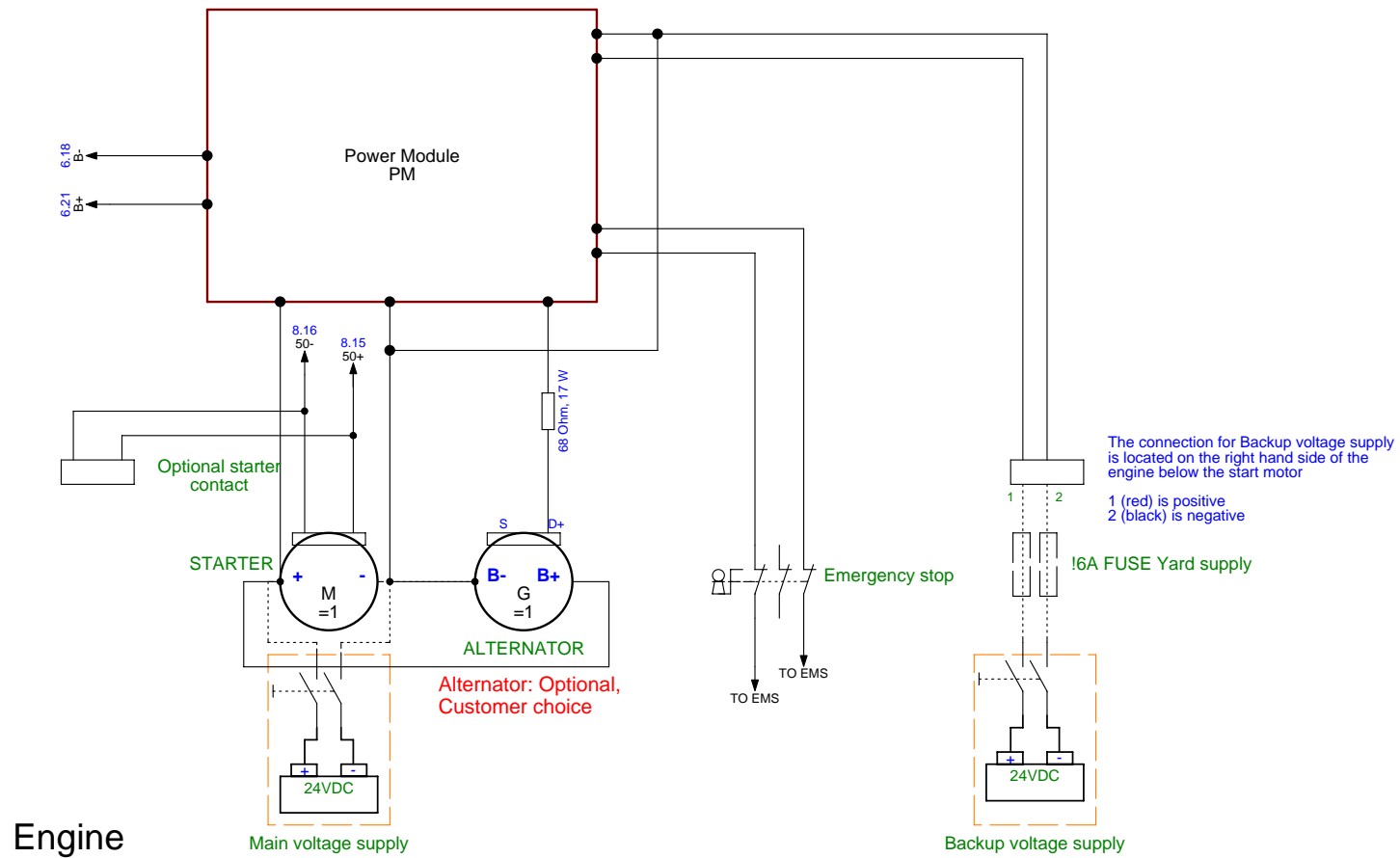
Customer/Shipyard:	File Name: SEM-051114-03H	Drawing no. SEM-051114-03H
Hull No:	Drawn by: RJ	Project no.
Engine: D9A RC EME Electrical Starter	Based on software: 21654503_P01	Page 5 of 8
Page Title: MCU, SDU and ID-COM	Date For Last Change: 2012-12-20 09:57:30	

### Engine Connection Box

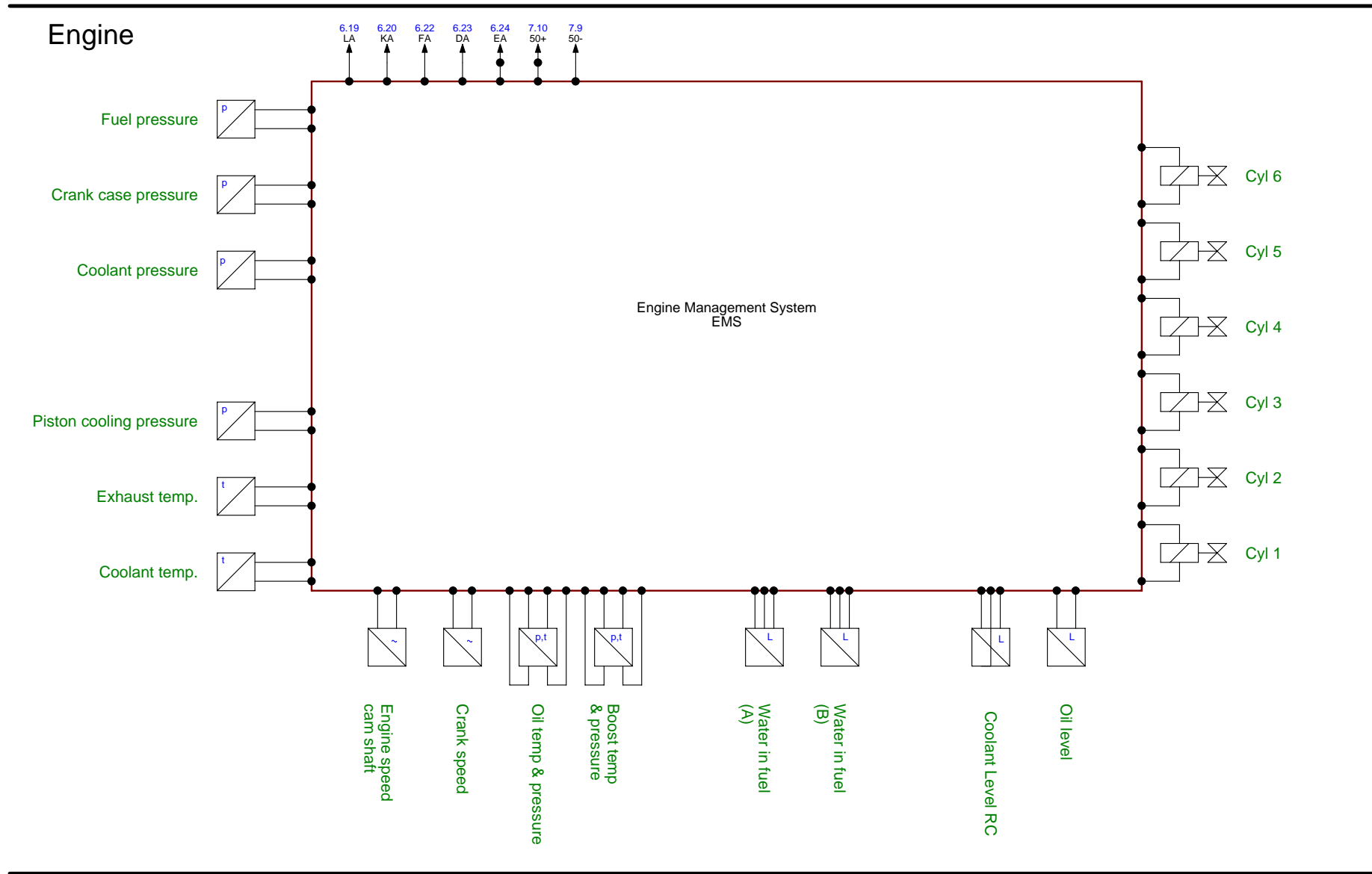


	Customer/Shipyard:	File Name: SEM-051114-03H	Drawing no.
	Hull No:	Drawn by: RJ	<b>SEM-051114-03H</b>
	Engine: D9A RC EME Electrical Starter	Based on software: 21654503_P01	Project no.
	Page Title: Terminals -X20	Date For Last Change: 2012-12-20 09:39:00	Page 6 of 8

# Electric Starter



	Customer/Shipyard:	File Name: SEM-051114-03H	Drawing no.
	Hull No:	Drawn by: RJ	<b>SEM-051114-03H</b>
	Engine: D9A RC EME Electrical Starter	Based on software: 21654503_P01	Project no.
	Page Title: Voltage supply, Electric Starter	Date For Last Change: 2012-12-20 10:32:22	Page 7 of 8



	Customer/Shipyard:	File Name: SEM-051114-03H	Drawing no.
	Hull No:	Drawn by: RJ	<b>SEM-051114-03H</b>
	Engine: D9A RC EME Electrical Starter	Based on software: 21654503_P01	Project no.
	Page Title: Engine sensors and EMS	Date For Last Change: 2012-12-20 09:55:00	Page 8 of 8